

APPLICATIONS

Resilient seat gate valves comply with AS 2638.2 and are suitable for use in potable water, non-potable water and wastewater systems installed above ground and below ground.

TECHNICAL DATA

Standard:	AS 2638.2 (Lic OMK25731) WSAA Product Appraisal 1121 Issue 8 – Betta Valves
Size Range:	DN 80 – DN 375
Pressures:	Operating Pressure 1600 kPa (PN 16) Test Pressure – Seal 1760 kPa Test Pressure – Body 2400 kPa
Temperatures:	Max 80 deg C, Max 40 deg C for potable water systems to AS 4020
Coating:	Fusion Bonded coating to AS/NZS 4158
End connections:	Flange (AS 4087, PN16)
Closing options:	Anti-clockwise (ACC) and Clockwise closing (CC)
Options:	Handwheels or Gearbox actuators ISO flange for gearbox actuators Extension spindles

FLANGE PN16
DN 80 – 375

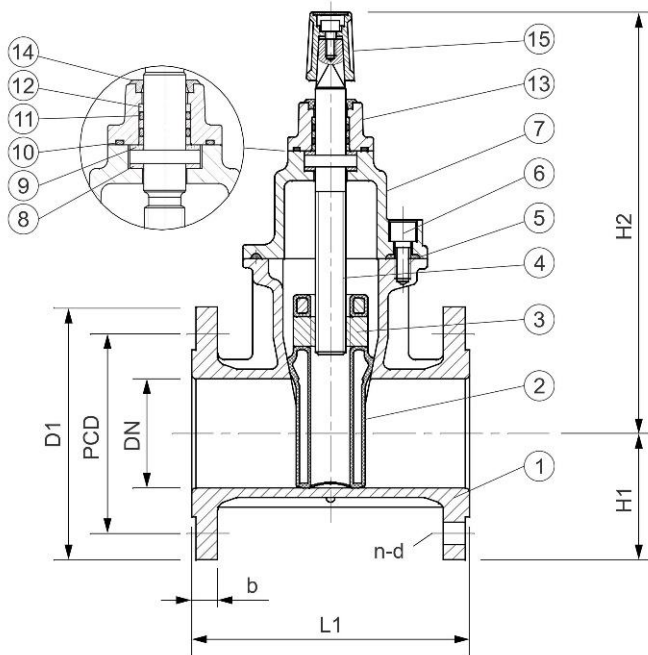


FEATURES

- High strength and corrosion resistant materials
- EPDM encapsulated ductile iron wedge ensures effective sealing
- Full bore design eliminates blockages
- Anti-friction components for lower operating torques

COMPONENTS

ITEM	PART	MATERIAL	STANDARD
1	Body	Ductile Iron Gr 500-7	AS 1831
2	Wedge	Ductile Iron Gr 500-7, EPDM encapsulated	AS 1831 AS 1646
3	Stem Nut	DR Brass C48600	AS 1568
4	Stem	Stainless Steel Gr 431	ASTM A276
5	Bonnet Gasket	EPDM	AS 1646
6	Bolts - Bonnet, Dust Cover & Stem Cap	Stainless Steel Gr 316	ASTM A276
7	Bonnet	Ductile Iron Gr 500-7	AS 1831
8	Washer	EPDM	AS 1646
9	Washer	DR Brass C48600	AS 1568
10	Bonnet O-Ring	NBR	AS 1646
11	O-Ring Seals	NBR	AS 1646
12	Thrust Collars	POM	AS 1646
13	Seal Retainer	DN80-150 – SS Gr 316 Other sizes – DI Gr 500-7	ASTM A276 AS 1831
14	Dust Cover	EPDM	AS 1646
15	Stem Cap	Ductile Iron Gr 500-7	AS 1831



DIMENSIONS

DN	L1	H1	H2	D1	PCD	n-d	b	No Turns	Torque In Nm	Weight kg	ACC	CC
80	203	93	310	185	146	4-18d	18	22	50	16	VGF08	VGF08C
100	229	108	340	215	178	4-18d	20	22	60	18	VGF10	VGF10C
150	267	140	450	280	235	8-18d	23	32	110	34	VGF15	VGF15C
200	292	168	580	335	292	8-18d	23	35	140	66	VGF20	VGF20C
225	305	185	670	370	324	8-18d	24	43	200	88	VGF22	VGF22C
250	330	203	670	405	356	8-22d	24	43	200	95	VGF25	VGF25C
300	356	228	780	455	406	12-22d	30	44	220	135	VGF30	VGF30C
375	381	275	945	550	495	12-26d	33	55	310	255	VGF37	VGF37C

CIVILPIPES PTY LTD

ABN 30 168 566 667
2 Potassium St. Narangba Qld 4504
PO Box 304, North Lakes Qld 4509



Web:
civilpipes.com.au



Telephone:
+61 7 3053 3456



E-mail:
sales@civilpipes.com.au

