



## TECHNICAL DATA

Standards:	AS/NZS 4129	PE Fittings - Flanged
Size Range:	DN 20 – DN 1200	
Materials:	Stub Flanges - AS/NZS 4131 PE100 Polyethylene materials Backing Rings - AS/NZS 4331.1 Metallic Flanges (ISO 7005-1)	
Pressure Range:	PE100 PN 16, PN 10, PN 20, PN 25	
Spigot Options:	Short Spigot - Suitable for butt welding only Long Spigot - Suitable for butt welding and electrofusion welding	
Flange Drillings:	AS 2129, AS 4087, ANSI 150 B16.5, ISO 7005	
Backing Rings:	Refer to PIPA Guideline POP007 Metal Backing Flanges for PE, for backing ring details and flange joint installation	



STUB FLANGES – PN16 **				
STANDARD			CHAMFERED (for Butterfly Valves)	
Dia	Short Spigot	Long Spigot	Short Spigot	Long Spigot
25	PBF025	PBFE025		
32	PBF032	PBFE032		
40	PBF040	PBFE040		
50	PBF050	PBFE050		
63	PBF063	PBFE063		
75	PBF075	PBFE075		
90	PBF090	PBFE090		
110	PBF110	PBFE110	PBFC110	
125	PBF125	PBFE125	PBFC125	
140	PBF140	PBFE140	PBFC140	
160	PBF160	PBFE160	PBFC160	PBFCE160
180	PBF180	PBFE180	PBFC180	PBFCE180
200	PBF200	PBFE200	PBFC200	PBFCE200
225	PBF225	PBFE225	PBFC225	PBFCE225
250	PBF250	PBFE250	PBFC250	PBFCE250
280	PBF280	PBFE280	PBFC280	PBFCE280
315	PBF315	PBFE315	PBFC315	PBFCE315
355	PBF355	PBFE355	PBFC355	PBFCE355
400	PBF400	PBFE400	PBFC400	PBFCE400
450	PBF450	* PBFE450	PBFC450	* PBFCE450
500	PBF500	* PBFE500	PBFC500	* PBFCE500
560	PBF560	* PBFE560	PBFC560	* PBFCE560
630	PBF630	* PBFE630	PBFC630	* PBFCE630
710	PBF710	* PBFE710	PBFC710	* PBFCE710
800	PBF800	* PBFE800		

\* Short spigot Stub supplied with pipe extension

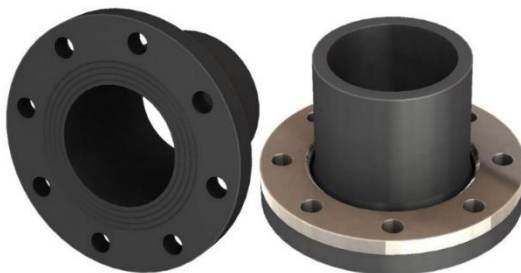
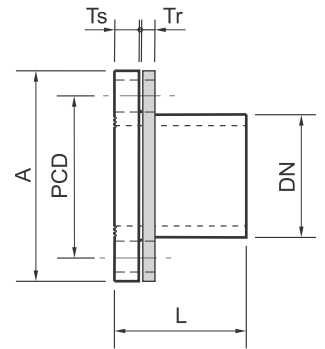
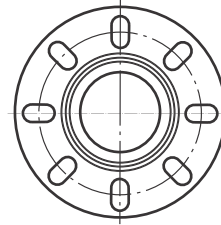
\*\* Other Pressure ratings available – PN 10 (full range); PN20 and PN25 (limited range)

## FULL FACE STUB FLANGES WITH SS BACKING RINGS – TABLE D

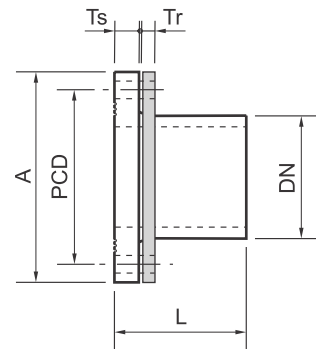
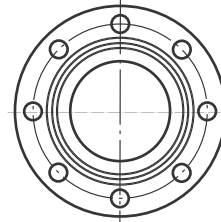
Drilling – AS4087 PN16, AS2129 Table D



**Slotted FF Stub Flange**



**Standard FF Stub Flange**

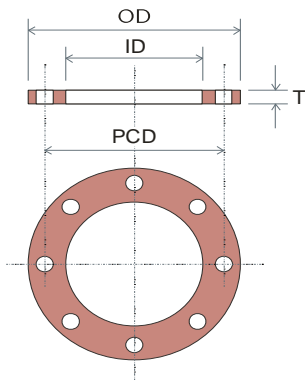


### FULL FACE STUB FLANGE with 316 SS BACKING RING

Pipe DN	Drilling	A	PCD	L	Ts	Tr	No Holes	Bolt Size	Product code
90	Slotted 80-100 T/D	230	146-178	118	20	10	4	M16	PBFFE090S
90	80 T/D	180	146	112	20	11	4	M16	PBFFE090
110	100 T/D	215	178	127	20	13	4	M16	PBFFE110
125	100 T/D	215	178	134	20	13	4	M16	PBFFE125
160	150 T/D	280	235	183	25	13	8	M16	PBFFE160
180	150 T/D	280	235	137	25	13	8	M16	PBFFE180
200	150 T/D	280	235	200	30	13	8	M16	PBFFE200
250	200 T/D	335	292	197	35	19	8	M16	PBFFE250
250	225 T/D	370	324	215	35	19	8	M16	PBFFE250225
280	225 T/D	370	324	215	35	19	8	M16	PBFFE280225
280	250 T/D	405	356	230	40	19	8	M20	PBFFE280
315	250 T/D	405	356	230	40	19	8	M20	PBFFE315
355	300 T/D	455	406	241	45	23	12	M20	PBFFE355
400	375 T/D	557	495	264	50	30	12	M24	PBFFE400
450	375 T/D	580	495	285	55	30	12	M24	PBFFE450
450	400 T/D	580	521	285	55	30	12	M24	PBFFE450400
500	450 T/D	705	584	354	60	30	12	M24	PBFFE500
560	500 T/D	735	641	430	65	38	16	M24	PBFFE560
630	600 T/D	815	756	430	80	44	16	M27	PBFFE630

Special Request/Options:

Other stub sizes and flange drillings can be machined to order.  
Optional Galvanised backing rings can be machined to suit stub flange



## BACKING RINGS – TABLE D

Drilling – AS4087 PN16, AS2129 Table D

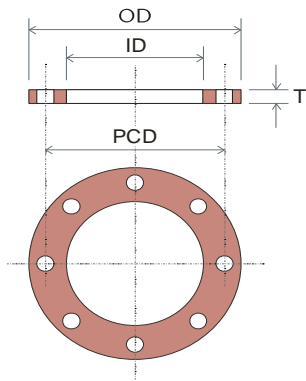


BACKING RINGS – TABLE D (STAINLESS STEEL AND GALVANISED STEEL)											
Pipe OD	Drilling	OD	PCD	ID	No Holes	Hole Dia	Bolt Size	Thickness (T)		316SS Ring	Galv Ring
								316SS	Galv		
20	15 T/D	95	67	32	4	14	M12	6	6	PBFRS020DE	PBFR020DE
25	20 T/D	100	73	37	4	14	M12	6	6	PBFRS025DE	PBFR025DE
32	25 T/D	115	83	44	4	14	M12	7	7	PBFRS032DE	PBFR032DE
40	32 T/D	120	87	52	4	14	M12	8	8	PBFRS040DE	PBFR040DE
50	40 T/D	135	98	62	4	14	M12	9	9	PBFRS050DE	PBFR050DE
63	50 T/D	150	114	78	4	18	M16	10	10	PBFRS063DE	PBFR063DE
75	65 T/D	165	127	92	4	18	M16	10	10	PBFRS075DE	PBFR075DE
90	80 T/D	185	146	108	4	18	M16	11	11	PBFRS090DE	PBFR090DE
110	100 T/D	215	178	128	4	18	M16	10	10	PBFRS110	PBFR110
125	100 T/D	215	178	140	4	18	M16	10	10	PBFRS125100	PBFR125100
125	125 T/D	255	210	140	8	18	M16	13	13	PBFRS125	PBFR125
140	125 T/D	255	210	158	8	18	M16	13	13	PBFRS140	PBFR140
160	150 T/D	280	235	178	8	18	M16	13	13	PBFRS160	PBFR160
180	150 T/D	280	235	195	8	18	M16	13	13	PBFRS180	PBFR180
200	200 T/D	335	292	235	8	18	M16	13	13	PBFRS200	PBFR200
225	200 T/D	335	292	240	8	18	M16	13	13	PBFRS225	PBFR225
250	250 T/D	405	356	290	8	22	M20	16	16	PBFRS250	PBFR250
280	250 T/D	405	356	300	8	22	M20	16	16	PBFRS280	PBFR280
315	300 T/D	455	406	345	12	22	M20	19	19	PBFRS315	PBFR315
355	350 T/D	525	470	376	12	26	M24	22	22	PBFRS355	PBFR355
400	400 T/D	580	521	430	12	26	M24	22	22	PBFRS400	PBFR400
450	450 T/D	640	584	480	12	26	M24	25	25	PBFRS450	PBFR450
500	500 T/D	705	641	533	16	26	M24	29	29	PBFRS500	PBFR500
560	550 T/D	760	699	590	16	30	M27	29	29	PBFRS560	PBFR560
630	600 T/D	825	756	660	16	30	M27	32	32	PBFRS630	PBFR630
710	700 T/D	910	845	745	20	30	M27	35	35	PBFRS710	PBFR710
800	800 T/D	1060	984	835	20	36	M33	41	41	PBFRS800	PBFR800



## BLANK FLANGES

Available in Stainless Steel, Galvanised Steel and Polyethylene  
Contact **CIVILPIPES** for details



## BACKING RINGS – TABLE E

Drilling – AS2129 Table E



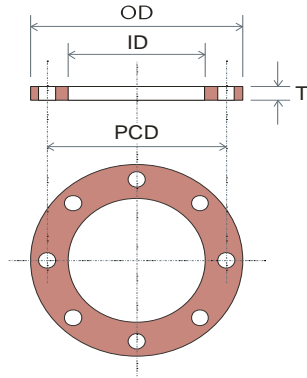
### BACKING RINGS – TABLE E (STAINLESS STEEL AND GALVANISED STEEL)

Pipe OD	Drilling	OD	PCD	ID	No Holes	Hole Dia	Bolt Size	Thickness (T)		316SS Ring	Galv Ring
								316SS	Galv		
20	15 T/E	95	67	32	4	14	M12	6	6	PBFRS020DE	PBFR020DE
25	20 T/E	100	73	37	4	14	M12	6	6	PBFRS025DE	PBFR025DE
32	25 T/E	115	83	44	4	14	M12	7	7	PBFRS032DE	PBFR032DE
40	32 T/E	120	87	52	4	14	M12	8	8	PBFRS040DE	PBFR040DE
50	40 T/E	135	98	62	4	14	M12	9	9	PBFRS050DE	PBFR050DE
63	50 T/E	150	114	78	4	18	M16	10	10	PBFRS063DE	PBFR063DE
75	65 T/E	165	127	92	4	18	M16	10	10	PBFRS075DE	PBFR075DE
90	80 T/E	185	146	108	4	18	M16	11	11	PBFRS090DE	PBFR090DE
110	100 T/E	215	178	128	8	18	M16	13	13	PBFRS110E	PBFR110E
125	100 T/E	215	178	140	8	18	M16	13	13	PBFRS125100E	PBFR125100E
125	125 T/E	255	210	140	8	18	M16	14	14	PBFRS125E	PBFR125E
140	125 T/E	255	210	158	8	18	M16	14	14	PBFRS140E	PBFR140E
160	150 T/E	280	235	178	8	22	M20	17	17	PBFRS160E	PBFR160E
180	150 T/E	280	235	195	8	22	M20	17	17	PBFRS180E	PBFR180E
200	200 T/E	335	292	235	8	22	M20	19	19	PBFRS200E	PBFR200E
225	200 T/E	335	292	240	8	22	M20	19	19	PBFRS225E	PBFR225E
250	250 T/E	405	356	290	12	22	M20	22	22	PBFRS250E	PBFR250E
280	250 T/E	405	356	300	12	22	M20	22	22	PBFRS280E	PBFR280E
315	300 T/E	455	406	345	12	26	M24	25	25	PBFRS315E	PBFR315E
355	350 T/E	525	470	376	12	26	M24	29	29	PBFRS355E	PBFR355E
400	400 T/E	580	521	430	12	26	M24	32	32	PBFRS400E	PBFR400E
450	450 T/E	640	584	480	16	26	M24	35	35	PBFRS450E	PBFR450E
500	500 T/E	705	641	533	16	26	M24	38	38	PBFRS500E	PBFR500E
560	550 T/E	760	699	590	16	30	M27	44	44	PBFRS560E	PBFR560E
630	600 T/E	825	756	660	16	33	M30	48	48	PBFRS630E	PBFR630E
710	700 T/E	910	845	745	20	33	M30	51	51	PBFRS710E	PBFR710E
800	800 T/E	1060	984	835	20	36	M33	54	54	PBFRS800E	PBFR800E



## BLANK FLANGES

Available in Stainless Steel, Galvanised Steel and Polyethylene  
Contact **CIVILPIPES** for details



## BACKING RINGS – ANSI 150

Drilling – ANSI 150 B16.5 - 150lb



### BACKING RINGS – ANSI 150 (STAINLESS STEEL AND GALVANISED STEEL)

Pipe OD	Drilling	OD	PCD	ID	No Holes	Hole Dia	Bolt Size	Thickness (T)		316SS Ring	Galv Ring
								316SS	Galv		
20	15 A150	90	60.5	32	4	16	1/2"	6	6	PBFRS020A	PBFR020A
25	20 A150	98	70	37	4	16	1/2"	6	6	PBFRS025A	PBFR025A
32	25 A150	108	79.5	44	4	16	1/2"	7	7	PBFRS032A	PBFR032A
40	32 A150	117	89	52	4	16	1/2"	8	8	PBFRS040A	PBFR040A
50	40 A150	127	98.5	62	4	16	1/2"	9	9	PBFRS050A	PBFR050A
63	50 A150	152	120.5	78	4	20	5/8"	10	10	PBFRS063A	PBFR063A
75	65 A150	178	139.5	92	4	20	5/8"	10	10	PBFRS075A	PBFR075A
90	80 A150	191	152	108	4	20	5/8"	11	11	PBFRS090A	PBFR090A
110	100 A150	229	190.5	128	8	20	5/8"	13	13	PBFRS110A	PBFR110A
125	125 A150	254	216	140	8	23	3/4"	13	13	PBFRS125A	PBFR125A
140	125 A150	254	216	158	8	23	3/4"	14	14	PBFRS140A	PBFR140A
160	150 A150	279	241	178	8	23	3/4"	17	17	PBFRS160A	PBFR160A
180	150 A150	279	241	195	8	23	3/4"	17	17	PBFRS180A	PBFR180A
200	200 A150	343	298.5	235	8	23	3/4"	19	19	PBFRS200A	PBFR200A
225	200 A150	343	298.5	240	8	23	3/4"	19	19	PBFRS225A	PBFR225A
250	250 A150	406	362	290	12	26	7/8"	22	22	PBFRS250A	PBFR250A
280	250 A150	406	362	300	12	26	7/8"	22	22	PBFRS280A	PBFR280A
315	300 A150	483	432	345	12	26	7/8"	25	25	PBFRS315A	PBFR315A
355	350 A150	535	476	376	12	29	1"	29	29	PBFRS355A	PBFR355A
400	400 A150	600	540	430	16	29	1"	32	32	PBFRS400A	PBFR400A
450	450 A150	635	578	480	16	32	1 1/8"	35	35	PBFRS450A	PBFR450A
500	500 A150	700	635	533	20	32	1 1/8"	38	38	PBFRS500A	PBFR500A
560	550 A150	750	692	590	20	35	1 1/4"	44	44	PBFRS560A	PBFR560A
630	600 A150	813	749	660	20	35	1 1/4"	48	48	PBFRS630A	PBFR630A



## BLANK FLANGES

Available in Stainless Steel, Galvanised Steel and Polyethylene  
Contact **CIVILPIPES** for details

### CIVILPIPES PTY LTD

ABN 30 168 566 667  
2 Potassium St. Narangba Qld 4504  
PO Box 304, North Lakes Qld 4509



Web:  
civilpipes.com.au



Telephone:  
+61 7 3053 3456



E-mail:  
sales@civilpipes.com.au

