

APPLICATIONS

Resilient seat gate valves comply with AS 2638.2 and are suitable for use in potable water, non-potable water and wastewater systems installed above ground and below ground.

TECHNICAL DATA

Standard:	AS 2638.2 (Lic OMK25731) WSAA Product Appraisal 1121 Issue 8 – Beta Valves	
Size Range:	DN 450 – DN 600	
Pressures:	Operating Pressure	1600 kPa (PN 16)
	Test Pressure – Seal	1760 kPa
	Test Pressure – Body	2400 kPa
Temperatures:	Max 80 deg C, Max 40 deg C for potable water systems to AS 4020	
Coating:	Fusion Bonded coating to AS/NZS 4158	
End connections:	Flange (AS 4087, PN16)	
Actuator Flange:	F16 ISO 5211 Flange	
Bypass Valve:	Resilient Seat PN16 AS 2638.2	
Closing options:	Anti-clockwise (ACC) and Clockwise closing (CC)	
Options:	Handwheels or Gearbox actuators Extension spindles	

FLANGE BYPASS PN16

DN 450 - 600

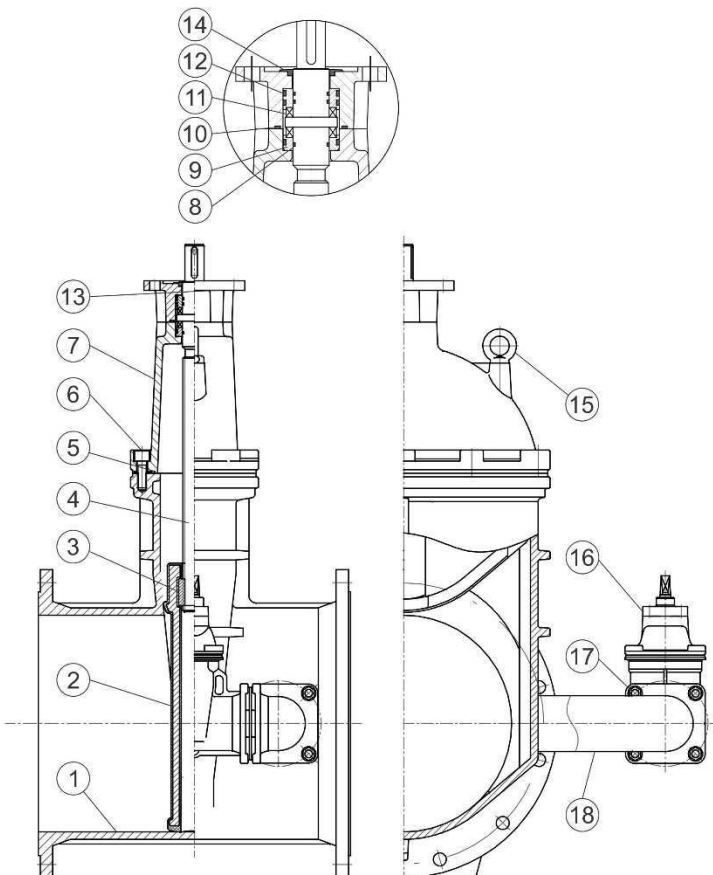


FEATURES

- High strength and corrosion resistant materials
- EPDM encapsulated ductile iron wedge ensures effective sealing
- Full bore design eliminates blockages
- Anti-friction components for lower operating torques

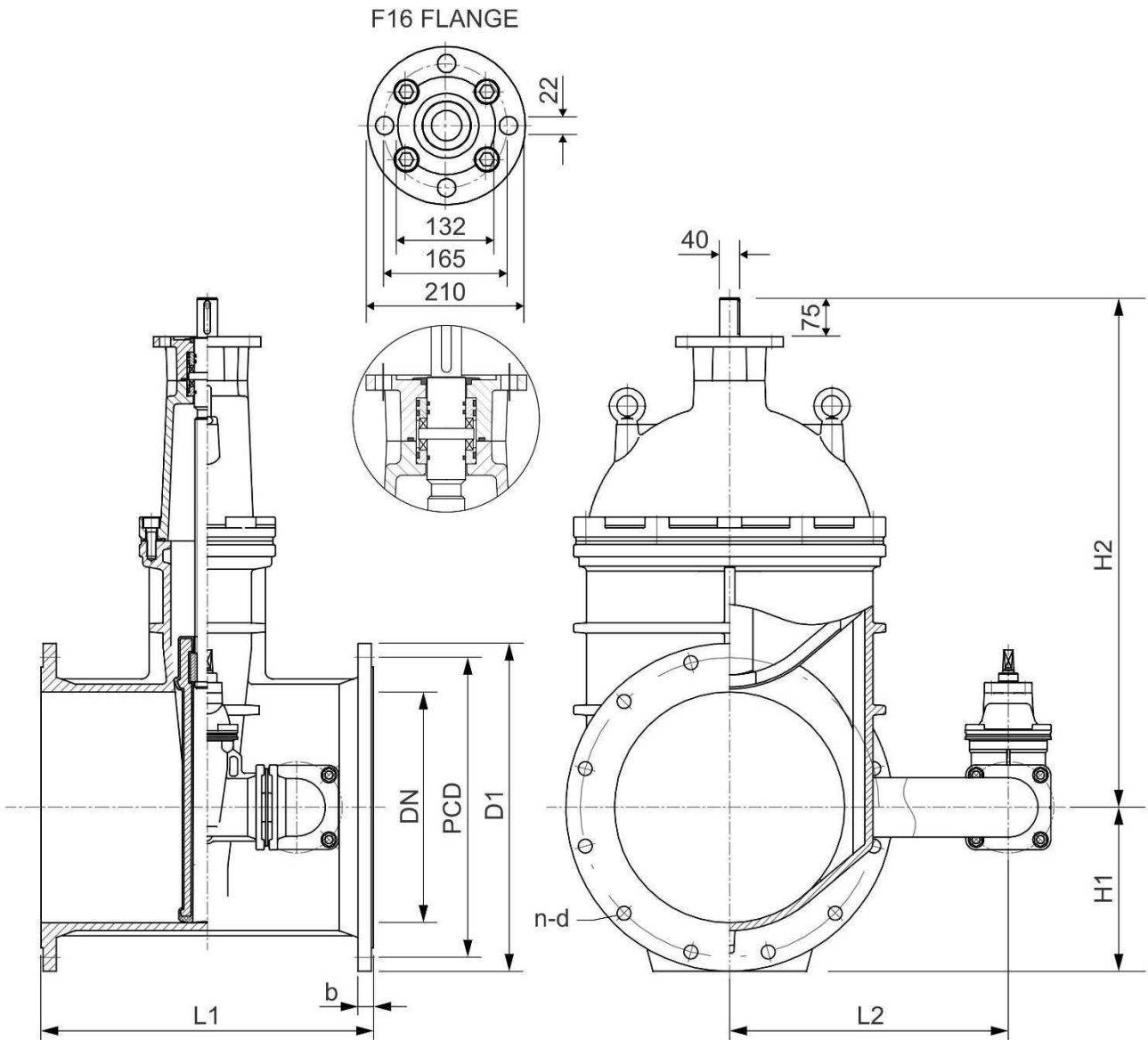
COMPONENTS

ITEM	PART	MATERIAL	STANDARD
1	Body	Ductile Iron Gr 500-7	AS 1831
2	Wedge	Ductile Iron Gr 500-7, EPDM encapsulated	AS 1831 AS 1646
3	Stem Nut	Bronze C95210	AS 1565
4	Stem	Stainless Steel Gr 431	ASTM A276
5	Bonnet Gasket	EPDM	AS 1646
6	Bolts - Bonnet, Dust Cover & Stem Cap	Stainless Steel Gr 316	ASTM A276
7	Bonnet	Ductile Iron Gr 500-7	AS 1831
8	O-Ring Seals	NBR	AS 1646
9	Bushing	Bronze C95210	AS 1565
10	O-Ring Seals	NBR	AS 1646
11	Bonnet O-Ring	NBR	AS 1646
12	Bearing		
13	Gland Flange	Ductile Iron Gr 500-7	AS 1831
14	Dust Cover	EPDM	AS 1646
15	Eyebolt	Carbon Steel	Galv
16	Bypass Valve	Resilient Seat PN16	AS2638.2
17	Flange Bolt/Nuts	Stainless Steel Gr 316	ASTM A276
18	Bypass Bend	Ductile Iron Gr 500-7	AS 1831



FLANGE BYPASS PN16

DN 450 - 600



DIMENSIONS

DN	Bypass DN	L1	H1	H2	D1	PCD	n-d	b	No Turns	Torque In Nm	Weight kg	ACC	CC
450	100	650	320	1080	640	584	12-26d	33	58	440	395	VGFB4510	VGFB4510C
500	100	700	353	1180	705	641	16-26d	35	64	520	510	VGFB5010	VGFB5010C
600	150	786	413	1345	825	756	16-30d	42	68	625	780	VGFB6015	VGFB6015C

CIVIL PIPE SUPPLIES

ABN 58 196 496 597
2 Potassium St. Narangba Qld 4504
PO Box 304, North Lakes Qld 4509

CONTACT

T: +61 7 3204 8906
E: sales@civilpipes.com.au
W: www.civilpipes.com.au

