

APPLICATIONS

Resilient seat gate valves comply with AS 2638.2 and are suitable for use in potable water, non-potable water and wastewater systems installed above ground and below ground.

TECHNICAL DATA

| | |
|------------------|--|
| Standard: | AS 2638.2 (Lic OMK25731) WSAA Product Appraisal 1121 Issue 8 – Beta Valves |
| Size Range: | DN 100 – DN 150 |
| Pressures: | Operating Pressure 1600 kPa (PN 16) Test Pressure – Seal 1760 kPa Test Pressure – Body 2400 kPa |
| Temperatures: | Max 80 deg C, Max 40 deg C for potable water systems to AS 4020 |
| Coating: | Fusion Bonded coating to AS/NZS 4158 |
| End connections: | Flange (AS 4087, PN16), Socket (AS/NZS 2280) |
| Closing options: | Anti-clockwise (ACC) and Clockwise closing (CC) |
| Options: | Handwheels or Gearbox actuators ISO flange for gearbox actuators Extension spindles Socket Seal Ring to suit PVC Series 1 |

SOCKET FLANGE PN16

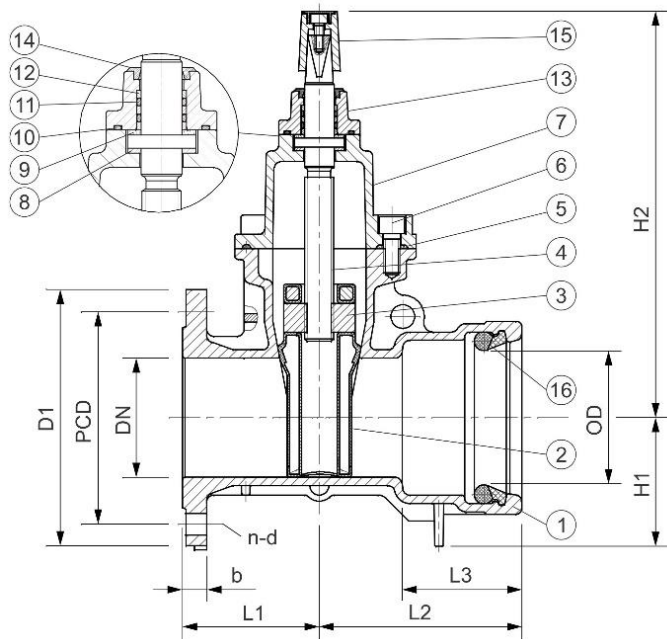
DN 100 – 150



FEATURES

- High strength and corrosion resistant materials
- EPDM encapsulated ductile iron wedge ensures effective sealing
- Full bore design eliminates blockages
- Anti-friction components for lower operating torques

COMPONENTS



| ITEM | PART | MATERIAL | STANDARD |
|------|---------------------------------------|--|----------------------|
| 1 | Body | Ductile Iron Gr 500-7 | AS 1831 |
| 2 | Wedge | Ductile Iron Gr 500-7, EPDM encapsulated | AS 1831 AS 1646 |
| 3 | Stem Nut | DR Brass C48600 | AS 1568 |
| 4 | Stem | Stainless Steel Gr 431 | ASTM A276 |
| 5 | Bonnet Gasket | EPDM | AS 1646 |
| 6 | Bolts – Bonnet, Dust Cover & Stem Cap | Stainless Steel Gr 316 | ASTM A276 |
| 7 | Bonnet | Ductile Iron Gr 500-7 | AS 1831 |
| 8 | Washer | EPDM | AS 1646 |
| 9 | Washer | DR Brass C48600 | AS 1568 |
| 10 | Bonnet O-Ring | NBR | AS 1646 |
| 11 | O-Ring Seals | NBR | AS 1646 |
| 12 | Thrust Collars | POM | AS 1646 |
| 13 | Seal Retainer | DN 80-200: SS Gr 316 Other sizes: DI Gr 500-7 | ASTM A276 AS 1831 |
| 14 | Dust Cover | EPDM | AS 1646 |
| 15 | Stem Cap | Ductile Iron Gr 500-7 | AS 1831 |
| 16 | Socket Seal Ring | EPDM | AS 1646 |

DIMENSIONS

| DN | OD | L1 | L2 | L3 | H1 | H2 | D1 | PCD | n-d | b | No Turns | Torque In Nm | Weight kg | ACC | CC |
|-----|-----|-----|-----|-----|-----|-----|-----|-----|-------|----|----------|--------------|-----------|--------|---------|
| 100 | 122 | 115 | 205 | 135 | 108 | 365 | 215 | 178 | 4-18d | 20 | 22 | 60 | 24 | VGSF10 | VGSF10C |
| 150 | 177 | 134 | 232 | 150 | 140 | 470 | 280 | 235 | 8-18d | 23 | 32 | 110 | 46 | VGSF15 | VGSF15C |

CIVILPIPES PTY LTD

ABN 30 168 566 667
2 Potassium St. Narangba Qld 4504
PO Box 304, North Lakes Qld 4509



Web:
civilpipes.com.au



Telephone:
+61 7 3053 3456



E-mail:
sales@civilpipes.com.au

