

## APPLICATIONS

Spring Hydrant valves comply with AS 3952 and are suitable for use in potable water and non-potable systems. The valve is operated by means of a standpipe attachment for fire fighting purposes, as well as pipeline flushing and scouring.

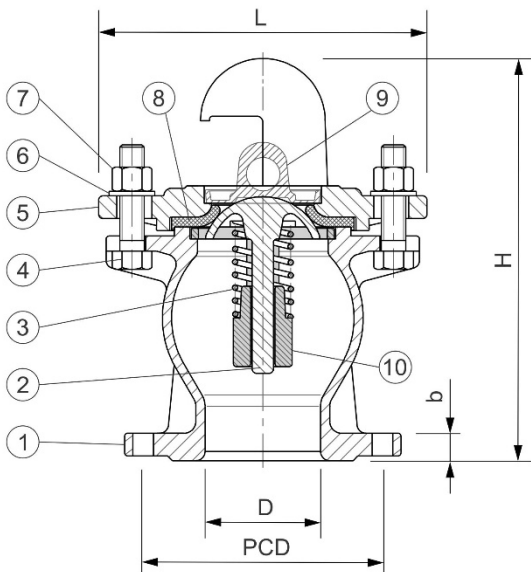
## TECHNICAL DATA

Standard:	AS 3952
Size Range:	DN 80, DN 100
Types:	Standard, Swab
Pressures:	PN16
Temperatures:	Max 60 deg C, Max 40 deg C for potable water systems to AS 4020
End connections:	Flange (AS 4087 Fig B5 PN16)
Options:	Flange with slotted drilling to suit DN80 – 100



## FEATURES

- High strength ductile iron body and yoke for impact resistance
- Corrosion Resistant materials and coatings
- Light weight design for easy installation
- Swab style with removable internal components allows access for pipeline scouring
- Dust cover fitted to protect dome and seal



## COMPONENTS

ITEM	PART	MATERIAL	STANDARD
1	Body	Ductile Iron Gr 500-7	AS 1831
2	Dome	DR Brass C48600	AS 1568
3	Spring	Stainless Steel Gr 304	ASTM A276
4	Bolt	Stainless Steel Gr 316	ASTM A276
5	Yoke	Ductile Iron Gr 500-7	AS 1831
6	Washer	Stainless Steel Gr 316	ASTM A276
7	Nut	Stainless Steel Gr 316	ASTM A276
8	Resilient Seat	EPDM	AS 1646
9	Dust Cover	PVC	
10	Spring Support	Stainless Steel Gr 316	ASTM A276

## DIMENSIONS

STYLE	AS4087 FLANGE	H	L	D	PCD	b	WEIGHT kg	CODE
Swab	<b>80 PN16</b>	264	216	76	146	18	11	VH08SW
Swab	<b>100 PN16</b>	264	216	76	178	20	13	VH10SW
Swab	<b>Slotted 80-100 PN16</b>	264	216	76	146-178	20	13	VH0810SW

## CIVIL PIPE SUPPLIES

ABN 58 196 496 597  
2 Potassium St. Narangba Qld 4504  
PO Box 304, North Lakes Qld 4509

## CONTACT

T: +61 7 3204 8906  
E: sales@civilpipes.com.au  
W: www.civilpipes.com.au



The products shown form part of our continuous improvement program and as such the product specifications may be changed without notice. All warranties relating to accuracy, completeness, or suitability for any particular purpose and all liability for any loss, damage or costs incurred relating to the use of this information are excluded. © CIVIL PIPE SUPPLIES 2015 All Rights Reserved.