



POLYETHYLENE PIPE SYSTEMS

AS/NZS 4129, AS/NZS 4130
Potable water, non-potable water, sewer, gas and conduit applications

CONTENTS

▶	PRESSURE PIPE	3
▶	ELECTROFUSION FITTINGS	8
▶	SPIGOT FITTINGS	18
▶	BALL VALVES	28
▶	STUB FLANGES AND RINGS	29
▶	RESTRAINT PRODUCTS	34
▶	COMPRESSION FITTINGS	38
▶	BSP THREADED FITTINGS	43
▶	TOOLS AND ACCESSORIES	47



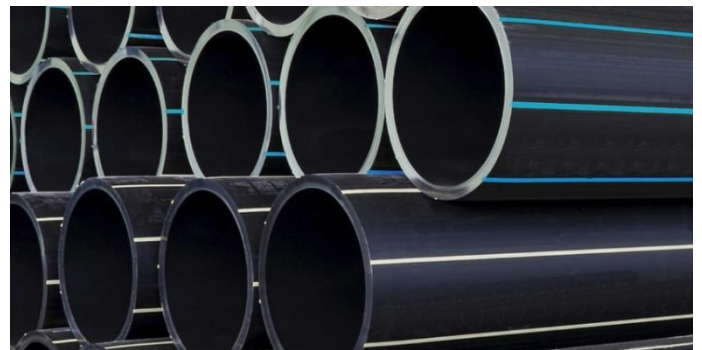
The products shown form part of our continuous improvement program and as such the product designs, specifications and materials may be changed without notice.

All warranties relating to accuracy, completeness, or suitability for any particular purpose and all liability for any loss, damage or costs incurred relating to the use of this information are excluded.



PRODUCT IDENTIFICATION

Colour	Application
Black	Non Potable Water
Blue Stripe	Potable Water
Purple Stripe	Recycled Water
Cream Stripe	Pressure Sewer
Red Stripe	Fire Service
Yellow Stripe	Gas
Orange	Electrical Conduit
White	Communications Conduit
White External	Co-extrusion for above ground high temperature environments



TECHNICAL DATA

Standard:	AS/NZS 4130
Size Range:	DN 20 – DN 1200
Material:	PE100 Polyethylene (Water/Sewer) PE80/100 (Gas) PE80 (Electrical/Communications)
Pressure Range:	PN4 to PN25 (at 20deg C)
Lengths:	Coils: 25m to 200m (Refer Table below) Pipe: Standard 12m Other lengths made to order

Refer to Pipe Dimensions section for dimensional data, weights and pressure ratings

OPERATING PRESSURES – PE100 PIPE									
Pressure Class:		PN 4	PN 6.3	PN 8	PN 10	PN 12.5	PN 16	PN 20	PN 25
SDR Ratio:		SDR 41	SDR 26	SDR 21	SDR 17	SDR 13.6	SDR 11	SDR 9	SDR 7.4
Operating Temp (°C)	Min Life (Yrs)	Maximum Allowable Operating Pressure (kPa)							
		20	100	400	640	800	1000	1270	1600
25	100	360	580	730	910	1150	1450	1820	2270
30	100	360	580	730	910	1150	1450	1820	2270
35	50	330	530	670	830	1060	1330	1670	2080
40	50	330	530	670	830	1060	1330	1670	2080
45	35	310	490	620	770	990	1230	1540	1920
50	22	290	460	570	710	910	1140	1430	1790
55	15	290	460	570	710	910	1140	1430	1790
60	7	270	430	530	670	850	1070	1330	1670
80	1	200	320	400	500	630	800	1000	1250

Source: PIPA Industry Guideline POP013 (Refer source for PE80 Pipe Pressures)

SDR: Standard Dimension Ratio = Outside Diameter / Wall Thickness

SERIES 1 PIPE DIMENSIONS (SDR 41 - SDR 21)

POLYETHYLENE PIPE DIMENSIONS – AS/NZS 4130 SERIES 1 (EXCL GAS PIPE)												
Type	SDR 41			SDR 33			SDR 26			SDR 21		
PE100	PN 4			PN 4			PN 6.3			PN 8		
PE80	PN 3,2			PN 4			PN 6.3			PN 6.3		
Nom OD	Min Wall	Mean ID	Av Mass Kg/m	Min Wall	Mean ID	Av Mass Kg/m	Min Wall	Mean ID	Av Mass Kg/m	Min Wall	Mean ID	Av Mass Kg/m
16												
20												
25												
32										1.6	28.7	0.16
40										1.9	36.1	0.23
50										2.4	45.1	0.36
63							2.4	58.1	0.46	3.0	56.9	0.57
75				2.3	70.4	0.53	2.9	69.2	0.67	3.6	67.7	0.82
90				2.8	84.5	0.77	3.5	83.0	1.0	4.3	81.3	1.2
110	2.7	104.7	0.92	3.4	103.2	1.1	4.3	101.3	1.5	5.3	99.2	1.8
125	3.1	118.9	1.2	3.9	117.3	1.5	4.8	115.4	1.8	6.0	112.9	2.3
140	3.5	133.2	1.5	4.3	131.5	1.8	5.4	129.2	2.3	6.7	126.5	2.8
160	4.0	152.3	2.0	4.9	150.4	2.4	6.2	147.6	3.0	7.7	144.5	3.7
180	4.4	171.5	2.5	5.5	169.2	3.0	6.9	166.3	3.8	8.6	162.7	4.7
200	4.9	190.5	3.0	6.2	187.7	3.8	7.7	184.6	4.7	9.6	180.6	5.8
225	5.5	214.4	3.8	6.9	211.5	4.8	8.6	207.9	5.9	10.8	203.3	7.4
250	6.2	238.0	4.8	7.7	234.9	5.9	9.6	230.9	7.4	11.9	226.1	9.0
280	6.9	266.7	6.0	8.6	263.1	7.4	10.7	258.7	9.2	13.4	253.0	11.4
315	7.7	300.2	7.5	9.7	296.0	9.4	12.1	290.9	11.7	15.0	284.9	14.3
355	8.7	338.2	9.6	10.9	333.6	11.9	13.6	327.9	14.8	16.9	321.0	18.2
400	9.8	380.0	12.2	12.3	375.8	15.1	15.3	369.5	18.8	19.1	361.5	23.2
450	11.0	428.9	15.4	13.8	423.0	19.1	17.2	415.8	23.8	21.5	406.8	29.3
500	12.3	476.3	19.1	15.3	470.0	23.5	19.1	462.0	29.3	23.9	452.0	36.2
560	13.7	533.7	23.9	17.2	526.3	29.6	21.4	517.5	36.8	26.7	506.4	45.3
630	15.4	600.4	30.2	19.3	592.2	37.4	24.1	582.1	46.6	30.0	569.8	57.3
710	17.4	676.5	38.4	21.8	667.3	47.6	27.2	655.9	59.3	33.9	641.9	73.0
800	19.6	762.3	48.8	24.5	752.0	60.2	30.6	739.2	75.2	38.1	723.4	92.4
900	22.0	857.8	61.6	27.6	846.0	76.3	34.4	831.7	95.1	42.9	813.9	117.1
1000	24.5	952.9	76.2	30.6	940.1	94.0	38.2	924.1	117.4	47.7	904.2	144.6
1200	29.4	1143.1	109.7	36.7	1127.8	135.3	45.9	1108.5	169.2	57.2	1084.7	208.1
1400	34.4	1332.6	149.8	42.9	1314.8	184.5	53.2	1293.1	228.8			
1600	39.3	1522.3	195.6	49.0	1502.0	240.9	61.3	1476.1	301.3			

Mass shown is an average only and will vary depending on PE80/100 material and manufacturing tolerances

SERIES 1 PIPE DIMENSIONS (SDR 17 – SDR 9)

POLYETHYLENE PIPE DIMENSIONS – AS/NZS 4130 SERIES 1 (EXCL GAS PIPE)												
Type	SDR 17			SDR 13.6			SDR 11			SDR 9		
PE100	PN 10			PN 12.5			PN 16			PN 20		
PE80	PN 8			PN 10			PN 12.5			PN 16		
Nom OD	Min Wall	Mean ID	Av Mass Kg/m	Min Wall	Mean ID	Av Mass Kg/m	Min Wall	Mean ID	Av Mass Kg/m	Min Wall	Mean ID	Av Mass Kg/m
16							1.6	12.7	0.08	1.8	12.3	0.09
20				1.6	16.7	0.10	1.9	16.1	0.11	2.3	15.2	0.14
25	1.6	21.7	0.12	1.9	21.1	0.14	2.3	20.2	0.17	2.8	19.2	0.21
32	1.9	28.1	0.18	2.4	27.0	0.23	2.9	26.0	0.28	3.6	24.5	0.35
40	2.4	35.0	0.29	3.0	33.8	0.36	3.7	32.3	0.44	4.5	30.6	0.54
50	3.0	43.9	0.45	3.7	42.4	0.56	4.6	40.4	0.69	5.6	38.4	0.84
63	3.8	55.2	0.72	4.7	53.3	0.89	5.8	51.0	1.1	7.1	48.2	1.3
75	4.5	65.8	1.0	5.5	63.7	1.2	6.8	61.0	1.5	8.4	57.6	1.9
90	5.4	79.0	1.5	6.6	76.5	1.8	8.2	73.1	2.2	10.1	69.1	2.7
110	6.6	96.5	2.2	8.1	93.3	2.7	10.0	89.4	3.3	12.3	84.5	4.1
125	7.4	109.9	2.8	9.2	106.1	3.5	11.4	101.5	4.3	14.0	96.1	5.3
140	8.3	123.1	3.5	10.3	118.9	4.3	12.7	113.9	5.3	15.7	107.6	6.6
160	9.5	140.7	4.6	11.8	135.9	5.7	14.6	130.0	7.0	17.9	123.1	8.6
180	10.7	158.3	5.8	13.3	152.8	7.2	16.4	146.3	8.9	20.1	138.5	10.9
200	11.9	175.8	7.1	14.7	169.9	8.8	18.2	162.5	10.9	22.4	153.7	13.4
225	13.4	197.8	9.0	16.6	191.1	11.2	20.5	182.9	13.8	25.1	173.2	16.9
250	14.8	220.0	11.1	18.4	212.4	13.8	22.7	203.4	17.0	27.9	192.5	20.9
280	16.6	246.3	13.9	20.6	237.9	17.3	25.4	227.8	21.3	31.3	215.4	26.3
315	18.7	277.1	17.7	23.2	267.6	21.9	28.6	256.3	27.0	35.2	242.4	33.3
355	21.1	311.1	22.5	26.1	301.6	27.8	32.2	288.8	34.3	39.6	273.3	42.2
400	23.7	351.9	28.4	29.4	339.9	35.3	36.3	325.4	43.6	44.7	307.8	53.6
450	26.7	395.9	36.0	33.1	382.4	44.7	40.9	366.1	55.2	50.2	346.5	67.8
500	29.6	440.0	44.4	36.8	424.9	55.2	45.4	406.8	68.1	55.8	385.0	83.7
560	33.2	492.7	55.8	41.2	475.9	69.2	50.8	455.8	85.4			
630	37.3	554.4	70.5	46.3	535.5	87.5	57.2	512.6	108.1			
710	42.1	624.6	89.7	52.2	603.4	111.2						
800	47.4	703.9	113.8	58.8	680.0	141.1						
900	53.5	791.7	144.5									
1000	59.3	879.8	177.9									
1200												
1400												
1600												

Mass shown is an average only and will vary depending on PE80/100 material and manufacturing tolerances

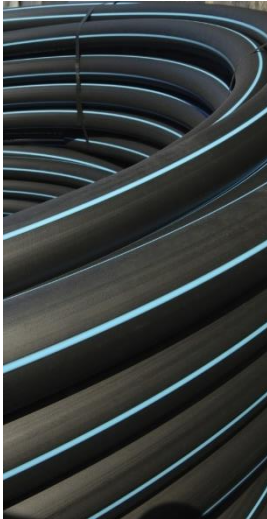
GAS PIPE – SERIES 2 POLY

Material: PE 100 Polyethylene
 Classes: SDR 17, SDR 13.6 & SDR 11
 Coil Size Range: 20mm OD to 140mm OD
 Pipe Range: 20mm OD to 630mm OD


SERIES 2 GAS PIPE DIMENSIONS

POLYETHYLENE PIPE DIMENSIONS – AS/NZS 4130 SERIES 2 (GAS PIPE)									
Type	SDR 17			SDR 13.6			SDR 11		
PE100	PN 10			PN 12.5			PN 16		
PE80	PN 8			PN 10			PN 12.5		
Nom OD	Min Wall	Mean ID	Av Mass Kg/m	Min Wall	Mean ID	Av Mass Kg/m	Min Wall	Mean ID	Av Mass Kg/m
16	2.3	11.3	0.11	3.0	9.8	0.14	3.0	9.8	0.14
20	2.3	15.3	0.14	3.0	13.8	0.18	3.0	13.8	0.18
25	2.3	20.3	0.17	3.0	18.8	0.23	3.0	18.8	0.23
32	2.3	27.3	0.22	3.0	25.8	0.29	3.0	25.8	0.29
40	2.3	35.3	0.28	3.0	33.8	0.36	3.7	32.3	0.45
50	2.9	44.0	0.44	3.7	42.3	0.56	4.6	40.4	0.69
63	3.6	55.5	0.68	4.7	53.2	0.89	5.8	50.9	1.1
75	4.3	66.2	0.97	5.5	63.6	1.2	6.8	60.9	1.5
90	5.2	79.3	1.4	6.6	76.3	1.8	8.2	72.9	2.2
110	6.3	97.1	2.1	8.1	93.2	2.7	10.0	89.3	3.3
125	7.1	110.4	2.7	9.2	105.9	3.5	11.4	101.3	4.3
140	8.0	123.6	3.4	10.3	118.7	4.3	12.7	113.7	5.4
160	9.1	141.3	4.4	11.8	135.6	5.7	14.6	129.7	7.0
180	10.3	158.9	5.6	13.3	152.5	7.2	16.4	146.0	8.9
200	11.4	176.6	6.9	14.7	169.6	8.9	18.2	162.2	11.0
225	12.8	198.7	8.7	16.6	190.7	11.3	20.5	182.5	13.9
250	14.2	220.9	10.7	18.4	212.0	13.9	22.7	203.0	17.1
280	16.0	247.6	13.5	20.6	237.9	17.4	25.4	227.8	21.4
315	17.9	278.8	17.0	23.2	267.6	22.0	28.6	256.3	27.2
355	20.2	314.1	21.6	26.1	301.6	27.9	32.3	288.7	34.6
400	22.8	353.8	27.5	29.4	339.9	35.5	36.4	325.3	43.9
450	25.6	398.0	34.7	33.1	382.4	44.9	41.0	366.0	55.6
500	28.5	442.3	43.0	36.8	424.9	55.5	45.5	406.7	68.6
560	31.9	495.4	53.9	41.2	475.8	69.6	51.0	455.3	86.1
630	35.8	557.6	68.0	46.3	535.5	88.0	57.3	512.5	108.9

Mass shown is an average only and will vary depending on material and tolerances



POLYETHYLENE PIPE COILS – PE100

OD	PN 8	PN 10	PN 12.5	PN 16	Std Coil Lengths
20	PP02008	PP02010	PP02012	PP02016	50m, 200m
25	PP02508	PP02510	PP02512	PP02516	50m, 200m
32	PP03208	PP03210	PP03212	PP03216	50m, 200m
40	PP04008	PP04010	PP04012	PP04016	50m, 150m
50	PP05008	PP05010	PP05012	PP05016	50m, 150m
63	PP06308	PP06310	PP06312	PP06316	50m, 100m
75	PP07508	PP07510	PP07512	PP07516	100m
90	PP09008	PP09010	PP09012	PP09016	100m
110	PP11008	PP11010	PP11012	PP11016	100m
125	PP12508	PP12510	PP12512	PP12516	100m
140	PP14008	PP14010	PP14012	PP14016	100m
160	PP16008	PP16010	PP16012	PP16016	100m

Highlighted codes represent more common stock lines

Other coil lengths are available and may be made to order

CONDUIT – ELECTRICAL & COMMUNICATIONS

- Material: PE 100 Polyethylene
 Classes: SDR 13.6 PN12.5
 Coil Size Range: 63mm OD to 140mm OD
 Pipe Range: 110mm OD to 630mm OD
 Options: Other pipe diameters & classes available on special request



PE CONDUIT COILS – PE100

OD	Electrical - Orange	Communications - White	Std Coil Length
63	PP06312140O	PP06312140W	100
90	PP09012100O	PP09012100W	100
110	PP11012100O	PP11012100W	100
125	PP12512100O	PP12512100W	100
140	PP14012100O	PP14012100W	100

TECHNICAL DATA

Standard: AS/NZS 4129
 Size Range: DN 20 - DN 800
 Materials: AS/NZS 4131
 Pressure Range: PN 16 (Standard)
 PN 10 & PN 25 (Limited range)



SDR Range: **EF FITTING** **COMPATIBLE SDR RANGE**

PN16 (DN20 – DN75)	SDR 7 – 11
PN16 (DN90 & above)	SDR 7 – 17
PN10 (DN20 – DN50)	SDR 11 – 17
PN10 (DN63 & above)	SDR 11 – 26
PN25	SDR 7 – 11

Fusion Welding: Refer PIPA Guideline POP001 for Electrofusion Jointing of PE Pipes and Fittings.



EF COUPLINGS DN 20-110				
Dia	Dia	PN10	PN16 Std	PN25
20	20		PEC020	
25	20		PEC025020	
25	25		PEC025	
32	20		PEC032020	
32	25		PEC032025	
32	32		PEC032	
40	25		PEC040025	
40	32		PEC040032	
40	40	PEC040L	PEC040	
50	25		PEC050025	
50	32		PEC050032	
50	40		PEC050040	
50	50	PEC050L	PEC050	PEC050H
63	32		PEC063032	
63	40		PEC063040	
63	50		PEC063050	
63	63	PEC063L	PEC063	PEC063H
75	63		PEC075063	
75	75	PEC075L	PEC075	PEC075H
90	50		PEC090050	
90	63		PEC090063	
90	75		PEC090075	
90	90	PEC090L	PEC090	PEC090H
110	63		PEC0110063	
110	90		PEC0110090	
110	110	PEC0110L	PEC0110	PEC0110H



EF COUPLINGS DN 110 - 800				
Dia	Dia	PN10	PN16 Std	PN25
125	90		PEC0125090	
125	110		PEC01250110	
125	125	PEC0125L	PEC0125	PEC0125H
140	140	PEC0140L	PEC0140	
160	90		PEC0160090	
160	110		PEC01600110	
160	125		PEC01600125	
160	160	PEC0160L	PEC0160	PEC0160H
180	125		PEC01800125	
180	180	PEC0180L	PEC0180	PEC0180H
200	200	PEC0200L	PEC0200	PEC0200H
225	225	PEC0225L	PEC0225	PEC0225H
250	250	PEC0250L	PEC0250	PEC0250H
280	280	PEC0280L	PEC0280	PEC0280H
315	315	PEC0315L	PEC0315	PEC0315H
355	355	PEC0355L	PEC0355	
400	400	PEC0400L	PEC0400	PEC0400H
450	450	PEC0450L	PEC0450	
500	500	PEC0500L	PEC0500	
560	560	PEC0560L	PEC0560	
630	630	PEC0630L	PEC0630	
710	710	PEC0710L	PEC0710	
800	800	PEC0800L	PEC0800	



EF TRANSITION COUPLINGS - PN16 (BRASS BSP)				
Dia	BSP Dia	Male BSP	Female BSP	Female Union
20	20			PECU020020
25	20	PECM025020	PECF025020	PECU025020
25	25			PECU025025
32	20	PECM032020	PECF032020	
32	25	PECM032025	PECF032025	PECU032025
32	32	PECM032032		PECU032032
32	40	PECM032040		
40	25	PECM040025	PECF040025	
40	32	PECM040032	PECF040032	PECU040032
40	40	PECM040040	PECF040040	PECU040040
40	50	PECM040050		
50	25	PECM050025		PECU050025
50	32	PECM050032		
50	40	PECM050040	PECF050040	
50	50	PECM050050	PECF050050	PECU050050
63	32	PECM063032		
63	40	PECM063040	PECF063040	
63	50	PECM063050	PECF063050	PECU063050
63	65			PECU063065
75	50	PECM075050		
75	65	PECM075065		



EF BRASS BSP INSERTS - PN16			
Dia	BSP Dia	Male BSP	Female BSP
25	20	PEAM025020	PEAF025020
32	25	PEAM032025	PEAF032025
40	32	PEAM040032	PEAF040032
50	40	PEAM050040	PEAF050040
63	50	PEAM063050	PEAF063050
75	65	PEAM075065	PEAF075065
90	80	PEAM090080	PEAF090080
110	100	PEAM110100	PEAF110100
125	100	PEAM125100	PEAF125100



EF POLY BSP INSERTS - PN16			
Dia	BSP Dia	Male BSP	Female BSP
25	20	PBAFE025020	PBAME025020
32	25	PBAFE032025	PBAME032025
40	25	PBAFE040025	PBAME040025
40	32	PBAFE040032	PBAME040032
50	40	PBAFE050040	PBAME050040
63	40	PBAFE063040	PBAME063040
63	50	PBAFE063050	PBAME063050



EF ELBOWS - PN16			
Dia	90 Deg	45 Deg	22.5 Deg
20	PEE020		
25	PEE025		
32	PEE032	PEE03245	
40	PEE040	PEE04045	
50	PEE050	PEE05045	
63	PEE063	PEE06345	
75	PEE075	PEE07545	
90	PEE090	PEE09045	PEE09022
110	PEE110	PEE11045	PEE11022
125	PEE125	PEE12545	PEE12522
160	PEE160	PEE16045	PEE16022
180	PEE180	PEE18045	PEE18022
200	PEE200	PEE20045	
225	PEE225	PEE22545	
250	PEE250	PEE25045	



EF ADJUSTABLE ELBOWS - PN16			
Dia	Max Adjustment	EF - EF	EF - Spigot
110	12 deg / EF Cplg	PEEA11024	PEEA11012
125	12 deg / EF Cplg	PEEA12524	PEEA12512
160	12 deg / EF Cplg	PEEA16024	PEEA16012
180	12 deg / EF Cplg	PEEA18024	PEEA18012
200	12 deg / EF Cplg	PEEA20024	PEEA20012



EF TRANSITION ELBOWS 90 DEG - PN16 (BRASS BSP)

Dia	BSP Dia	Male BSP	Female BSP	Female Union
20	20			PEEU020020
25	20	PEEM025020	PEEF025020	PEEU025020
25	25			PEEU025025
32	20	PEEM032020		
32	25	PEEM032025	PEEF032025	PEEU032025
32	32	PEEM032032		PEEU032032
32	40	PEEM032040		
40	25	PEEM040025	PEEF040025	
40	32	PEEM040032	PEEF040032	
40	40	PEEM040040	PEEF040040	PEEU040040
40	50	PEEM040050		
50	25	PEEM050025		
50	32	PEEM050032		
50	40	PEEM050040	PEEF050040	
50	50	PEEM050050	PEEF050050	PEEU050050
63	32	PEEM063032		
63	40	PEEM063040	PEEF063040	PEEU063040
63	50	PEEM063050	PEEF063050	PEEU063050
63	65			PEEU063065
75	50	PEEM075050		
75	65	PEEM075065		



EF TRANSITION ELBOWS 45 DEG - PN16 (BRASS BSP)

Dia	BSP Dia	Male BSP	Female BSP	Female Union
32	20	PEEM03202045		
32	25	PEEM03202545	PEEF03202545	PEEU03202545
32	32	PEEM03203245		PEEU03203245
32	40	PEEM03204045		
40	25	PEEM04002545	PEEF04002545	
40	32	PEEM04003245	PEEF04003245	
40	40	PEEM04004045	PEEF04004045	PEEU04004045
40	50	PEEM04005045		
50	25	PEEM05002545		
50	32	PEEM05003245		
50	40	PEEM05004045	PEEF05004045	
50	50	PEEM05005045	PEEF05005045	PEEU05005045
63	32	PEEM06303245		
63	40	PEEM06304045	PEEF06304045	
63	50	PEEM06305045	PEEF06305045	PEEU06305045
63	65			PEEU06306545
75	50	PEEM07505045		
75	65	PEEM07506545		



TEES - PN16			
Dia	Branch Dia	Standard	Reducing
20	20	PET020	
25	20		PET025020
25	25	PET025	
32	20		PET032020
32	25		PET032025
32	32	PET032	
40	20		PET040020
40	25		PET040025
40	32		PET040032
40	40	PET040	
50	20		PET050020
50	25		PET050025
50	32		PET050032
50	40		PET050040
50	50	PET050	
63	20		PET063020
63	32		PET063032
63	40		PET063040
63	50		PET063050
63	63	PET063	
75	63		PET075063
75	75	PET075	
90	63		PET090063
90	75		PET090075
90	90	PET090	
110	63		PET110063
110	90		PET110090
110	110	PET110	
125	90		PET125090
125	110		PET125110
125	125	PET125	
160	90		PET160090
160	110		PET160110
160	125		PET160125
160	160	PET160	
180	110		PET180110
180	125		PET180125
180	160		PET180160
180	180	PET180	
200	90		PET200090
200	110		PET200110
200	200	PET200	
225	90		PET225090
225	110		PET225110
225	225	PET225	
250	90		PET250090
250	110		PET250110
250	250	PET250	



EF HYDRANT TEES – FLANGED BRANCH (FULL FACE) PN16

Tee, PE Full Face Flange with SS Backing Ring

Dia	Branch Dia	Flange Drilling	Product Code
110	90	80 – 100 T/D&E Slotted	PETFF110090
125	90	80 – 100 T/D&E Slotted	PETFF125090
160	90	80 – 100 T/D&E Slotted	PETFF160090
180	90	80 – 100 T/D&E Slotted	PETFF180090
200	90	80 – 100 T/D&E Slotted	PETFF200090
225	90	80 – 100 T/D&E Slotted	PETFF225090
250	90	80 – 100 T/D&E Slotted	PETFF250090
125	125	100 T/D	PETFF125125
180	125	100 T/D	PETFF180125



EF SCOUR TEES – FLANGED BRANCH (FULL FACE) PN16

Tee, Eccentric Reducer, PE Full Face Flange with SS Backing Ring

Dia	Branch Dia	Flange Drilling	Product Code
125	125 – 90 Ecc	80 – 100 T/D&E Slotted	PESTFF125090
180	180 – 90 Ecc	80 – 100 T/D&E Slotted	PESTFF180090



EF END CAPS & PLUGS PN16

Dia	End Cap	Plug Insert
20	PEBC020	PEBP020
25	PEBC025	PEBP025
32	PEBC032	PEBP032
40	PEBC040	PEBP040
50	PEBC050	PEBP050
63	PEBC063	PEBP063
75	PEBC075	PEBP075
90	PEBC090	PEBP090
110	PEBC110	PEBP110
125	PEBC125	PEBP125
140	PEBC140	PEBP140
160	PEBC160	PEBP160
180	PEBC180	PEBP180
200	PEBC200	PEBP200
225	PEBC225	PEBP225
250	PEBC250	PEBP250
280		PEBP280
315		PEBP315





EF BRANCH SADDLE PN16

Dia	Branch Dia	Product Code
63	32	PESB063032
63	40	PESB063040
63	50	PESB063050
63	63	PESB063063
75	32	PESB075032
75	40	PESB075040
75	50	PESB075050
75	63	PESB075063
90	32	PESB090032
90	40	PESB090040
90	50	PESB090050
90	63	PESB090063
90	90	PESB090090
110	32	PESB110032
110	40	PESB110040
110	50	PESB110050
110	63	PESB110063
110	90	PESB110090
125	32	PESB125032
125	40	PESB125040
125	50	PESB125050
125	63	PESB125063
125	90	PESB125090
140	32	PESB140032
140	40	PESB140040
140	50	PESB140050
140	63	PESB140063
140	90	PESB140090
160	32	PESB160032
160	40	PESB160040
160	50	PESB160050
160	63	PESB160063
160	90	PESB160090
180	32	PESB180032
180	40	PESB180040
180	50	PESB180050
180	63	PESB180063
180	90	PESB180090
200	63	PESB200063
200	90	PESB200090
225	63	PESB225063
225	90	PESB225090
250	63	PESB250063
250	90	PESB250090
280	90	PESB280090
315	90	PESB315090



EF UNIVERSAL BRANCH SADDLE PN16

Dia Range	Branch Dia	Product Code
250-400	90	PESBU400090
250-400	110	PESBU400110
250-400	125	PESBU400125
250-400	160	PESBU400160
400	250	PESBU400250
450-800	90	PESBU800090
450-800	110	PESBU800110
450-800	125	PESBU800125
450-800	160	PESBU800160
560	400	PESBU560400
500-630	250	PESBU630250
630	400	PESBU630400



EF FLANGED BRANCH SADDLE PN16

PE Full Face Flange with SS Backing Ring

Dia	Flange Drilling	Product Code
125 x 90	80 – 100 T/D&E Slotted	PESBFF125090
180 x 90	80 – 100 T/D&E Slotted	PESBFF180090
250 x 90	80 – 100 T/D&E Slotted	PESBFF250090
315 x 90	80 – 100 T/D&E Slotted	PESBFF315090



EF TRANSITION SADDLE PN16

Dia	BSP Dia	Product Code
63	32F	PESF063032
63	40F	PESF063040
75	32F	PESF075032
90	32F	PESF090032
90	40F	PESF090040
90	50F	PESF090050
110	32F	PESF110032
110	40F	PESF110040
110	50F	PESF110050
125	32F	PESF125032
125	40F	PESF125040
125	50F	PESF125050
160	32F	PESF160032
160	40F	PESF160040
160	50F	PESF160050
180	32F	PESF180032
180	40F	PESF180040
180	50F	PESF180050
200	50F	PESF200050
225	50F	PESF225050
250	50F	PESF250050



EF TAPPING SADDLE PN16 DN 40 - 160

Dia	Branch Dia	Product Code
40	20	PEST040020
40	25	PEST040025
40	32	PEST040032
50	20	PEST050020
50	25	PEST050025
50	32	PEST050032
63	20	PEST063020
63	25	PEST063025
63	32	PEST063032
63	40	PEST063040
63	50	PEST063050
63	63	PEST063063
75	20	PEST075020
75	25	PEST075025
75	32	PEST075032
75	40	PEST075040
75	50	PEST075050
75	63	PEST075063
90	20	PEST090020
90	25	PEST090025
90	32	PEST090032
90	40	PEST090040
90	50	PEST090050
90	63	PEST090063
110	20	PEST110020
110	25	PEST110025
110	32	PEST110032
110	40	PEST110040
110	50	PEST110050
110	63	PEST110063
125	20	PEST125020
125	25	PEST125025
125	32	PEST125032
125	40	PEST125040
125	50	PEST125050
125	63	PEST125063
140	20	PEST140020
140	32	PEST140032
140	40	PEST140040
140	50	PEST140050
140	63	PEST140063
160	20	PEST160020
160	25	PEST160025
160	32	PEST160032
160	40	PEST160040
160	50	PEST160050
160	63	PEST160063



EF TAPPING SADDLE PN16 DN180 - 250

Dia	Branch Dia	Product Code
180	20	PEST180020
180	25	PEST180025
180	32	PEST180032
180	40	PEST180040
180	50	PEST180050
180	63	PEST180063
200	20	PEST200020
200	25	PEST200025
200	32	PEST200032
200	40	PEST200040
200	50	PEST200050
200	63	PEST200063
225	20	PEST225020
225	25	PEST225025
225	32	PEST225032
225	40	PEST225040
225	50	PEST225050
225	63	PEST225063
250	20	PEST250020
250	32	PEST250032
250	40	PEST250040
250	50	PEST250050
250	63	PEST250063

EF REPAIR SADDLE PN16

Dia	Product Code
63	PESR063
75	PESR075
90	PESR090
110	PESR110
125	PESR125
140	PESR140
160	PESR160
180	PESR180

TECHNICAL DATA

Standards:	AS/NZS 4129 PE Fittings AS/NZS 4130 PE Pipe AS/NZS 4131 PE Materials
Size Range:	DN 20 – DN 1200 (varies by product type)
Material:	AS/NZS 4131 Polyethylene materials
Pressure Range:	PE100 PN 16, PN 10, PN 20, PN 25
Spigot Options:	Short Spigot Suitable for butt welding only Long Spigot Suitable for butt welding and electrofusion welding



PRODUCT RANGE

Products listed in this data sheet are PE100 SDR 11 PN16 fittings unless noted otherwise.

	SDR 11 (PN 16)	SDR 17.6 (PN 10)	SDR 9 (PN 20)	SDR 7.4 (PN 25)
Elbows	Standard	Option	* Limited	* Limited
Bends	Standard	Option		
Sweep Bends	Standard	Option		
Tees	Standard	Option	* Limited	* Limited
Tees - 45 deg	Standard	Option		
Reducers	Standard	Option	* Limited	* Limited
Caps	Standard	Option	* Limited	* Limited
Adaptors	Standard	Option		
Stub Flanges	Standard	Option	* Limited	* Limited

* Limited range of elbows, tees, reducers and stub flanges available on special request.

FABRICATED SPECIALS

Special Fabrications generally consist of the following PE components:

- PE moulded fittings manufactured to AS/NZS 4129
- PE pipe manufactured to AS/NZS 4130
- PE machined fittings using PE material in accordance with AS/NZS 4131



PRESSURE DERATING may apply depending on the fabrication process, materials used and the angle of welding.

Refer to PIPA Guideline POP006 for further details


BENDS/ELBOWS – LONG SPIGOT PN16

Dia	90 Deg	45 Deg
20	PBBE020	PBBE02045
25	PBBE025	PBBE02545
32	PBBE032	PBBE03245
40	PBBE040	PBBE04045
50	PBBE050	PBBE05045
63	PBBE063	PBBE06345
75	PBBE075	PBBE07545
90	PBBE090	PBBE09045
110	PBBE110	PBBE11045
125	PBBE125	PBBE12545
140	PBBE140	PBBE14045
160	PBBE160	PBBE16045
180	PBBE180	PBBE18045
200	PBBE200	PBBE20045
225	PBBE225	PBBE22545
250	PBBE250	PBBE25045
280	PBBE280	PBBE28045
315	PBBE315	PBBE31545
355	PBBE355	PBBE35545
400	PBBE400	PBBE40045
450	PBBE450	PBBE45045
500	PBBE500	PBBE50045


BENDS – SHORT SPIGOT PN16

Dia	Nom Radius	90 Deg
20	20	PBB020
25	25	PBB025
32	32	PBB032
40	40	PBB040
50	50	PBB050
63	63	PBB063
75	75	PBB075
90	90	PBB090
110	110	PBB110
125	125	PBB125
140	140	PBB140
160	160	PBB160
180	180	PBB180
200	200	PBB200
225	225	PBB225
250	250	PBB250
280	280	PBB280
315	315	PBB315
355	355	PBB355
400	400	PBB400


SWEEP BENDS – LONG SPIGOT PN16

Dia	90 Deg	60 Deg	45 Deg	30 Deg
50	PBBS050	PBBS05060	PBBS05045	PBBS05030
63	PBBS063	PBBS06360	PBBS06345	PBBS06330
75	PBBS075	PBBS07560	PBBS07545	PBBS07530
90	PBBS090	PBBS09060	PBBS09045	PBBS09030
110	PBBS110	PBBS11060	PBBS11045	PBBS11030
125	PBBS125	PBBS12560	PBBS12545	PBBS12530
140	PBBS140	PBBS14060	PBBS14045	PBBS14030
160	PBBS160	PBBS16060	PBBS16045	PBBS16030
180	PBBS180	PBBS18060	PBBS18045	PBBS18030
200	PBBS200	PBBS20060	PBBS20045	PBBS20030
225	PBBS225	PBBS22560	PBBS22545	PBBS22530
250	PBBS250	PBBS25060	PBBS25045	PBBS25030
280	PBBS280	PBBS28060	PBBS28045	PBBS28030
315	PBBS315	PBBS31560	PBBS31545	PBBS31530
355	PBBS355	PBBS35560	PBBS35545	PBBS35530
400	PBBS400	PBBS40060	PBBS40045	PBBS40030
450	PBBS450	PBBS45060	PBBS45045	PBBS45030
500	PBBS500	PBBS50060	PBBS50045	PBBS50030
560	PBBS560	PBBS56060	PBBS56045	PBBS56030
630	PBBS630	PBBS63060	PBBS63045	PBBS63030

Other angles available on special request


SEGMENTED BENDS – PN Rating Varies

Dia	90 Deg	60 Deg	45 Deg	30 Deg
90	PBBX090	PBBX09060	PBBX09045	PBBX09030
110	PBBX110	PBBX11060	PBBX11045	PBBX11030
125	PBBX125	PBBX12560	PBBX12545	PBBX12530
140	PBBX140	PBBX14060	PBBX14045	PBBX14030
160	PBBX160	PBBX16060	PBBX16045	PBBX16030
180	PBBX180	PBBX18060	PBBX18045	PBBX18030
200	PBBX200	PBBX20060	PBBX20045	PBBX20030
225	PBBX225	PBBX22560	PBBX22545	PBBX22530
250	PBBX250	PBBX25060	PBBX25045	PBBX25030
280	PBBX280	PBBX28060	PBBX28045	PBBX28030
315	PBBX315	PBBX31560	PBBX31545	PBBX31530

Fabricated Segmented Bends are derated by 0.8 factor in accordance with PIPA Guidelines POP006 eg:

Pipe class used for fabrication:	PN20	PN16	PN12.5
Pressure Class after fabrication:	PN16	PN12.5	PN10


TEES - EQUAL PN16

Dia	Branch Dia	Short Spigot	Long Spigot
20	20	PBT020	PBTE020
25	25	PBT025	PBTE025
32	32	PBT032	PBTE032
40	40	PBT040	PBTE040
50	50	PBT050	PBTE050
63	63	PBT063	PBTE063
75	75	PBT075	PBTE075
90	90	PBT090	PBTE090
110	110	PBT110	PBTE110
125	125	PBT125	PBTE125
140	140	PBT140	PBTE140
160	160	PBT160	PBTE160
180	180	PBT180	PBTE180
200	200	PBT200	PBTE200
225	225	PBT225	PBTE225
250	250	PBT250	PBTE250
280	280	PBT280	PBTE280
315	315	PBT315	PBTE315
355	355	PBT355	PBTE355
400	400	PBT400	PBTE400
450	450	PBT450	PBTE450
500	500	PBT500	PBTE500
560	560	PBT560	PBTE560
630	630	PBT630	PBTE630

TEES - REDUCING PN16 (DN 50-125)

Dia	Branch Dia	Short Spigot	Long Spigot
50	25		PBTE050025
50	32		PBTE050032
50	40		PBTE050040
63	32		PBTE063032
63	40		PBTE063040
63	50		PBTE063050
75	32		PBTE075032
75	40		PBTE075040
75	50		PBTE075050
75	63		PBTE075063
90	50		PBTE090050
90	63		PBTE090063
90	75		PBTE090075
110	50	PBT110050	PBTE110050
110	63		PBTE110063
110	75		PBTE110075
110	90		PBTE110090
125	63	PBT125063	PBTE125063
125	90		PBTE125090
125	110		PBTE125110



TEES - REDUCING PN16 (DN 140-400)			
Dia	Branch Dia	Short Spigot	Long Spigot
140	90	PBT140090	PBTE140090
140	110	PBT140110	PBTE140110
140	125		PBTE140125
160	63		PBTE160063
160	75		PBTE160075
160	90		PBTE160090
160	110		PBTE160110
160	125	PBT160125	PBTE160125
180	90		PBTE180090
180	110		PBTE180110
180	125	PBT180125	PBTE180125
180	160		PBTE180160
200	63		PBTE200063
200	90		PBTE200090
200	110		PBTE200110
200	125		PBTE200125
200	160		PBTE200160
225	90		PBTE225090
225	110		PBTE225110
225	125		PBTE225125
225	160		PBTE225160
225	180		PBTE225180
250	90		PBTE250090
250	110		PBTE250110
250	125		PBTE250125
250	160		PBTE250160
250	225		PBTE250225
280	110		PBTE280110
280	160		PBTE280160
280	200		PBTE280200
280	225		PBTE280225
280	250		PBTE280250
315	110		PBTE315110
315	160		PBTE315160
315	200		PBTE315200
315	225		PBTE315225
315	250		PBTE315250
355	90	PBT355090	
355	110		PBTE355110
355	125	PBT355125	
355	160		PBTE355160
355	180	PBT355180	
355	225		PBTE355225
400	90	PBT400090	
400	110		PBTE400110
400	125	PBT400125	
400	160		PBTE400160
400	180	PBT400180	
400	225		PBTE400225


HYDRANT TEES – FLANGED BRANCH (FULL FACE) PN16

Tee, PE Full Face Flange with SS Backing Ring			
Dia	Branch Dia	Flange Drilling	Product Code
125	90	80 & 100 T/D	PETFF125090
125	125	100 T/D	PETFF125125
180	90	80 & 100 T/D	PETFF180090
180	125	100 T/D	PETFF180125
250	90	80 & 100 T/D	PETFF250090
250	125	100 T/D	PETFF250125
250	90	80 & 100 T/D	PETFF250090

Other sizes and configurations available.

Flanged branch: Full Face stub flange with SS Backing Ring
(Optional Gal Backing Ring on special request)


SCOUR TEES - LONG SPIGOT FABRICATED PN16

Dia	Branch Dia	Spigot Branch	Flange Branch	Flange Drilling
125	90	PBSTP125090	PBSTPF125090	80 & 100 T/D
180	90	PBSTP180090	PBSTPF180090	80 & 100 T/D
250	90	PBSTP250090	PBSTPF250090	80 & 100 T/D
250	125	PBSTP250125	PBSTPF250125	100 T/D
315	125	PBSTP315125	PBSTPF315125	100 T/D
315	180	PBSTP315180	PBSTPF315180	150 T/D
355	125	PBSTP355125	PBSTPF355125	100 T/D
355	180	PBSTP355180	PBSTPF355180	150 T/D

Other sizes and configurations available.

Flanged branch: Full Face stub flange with SS Backing Ring
(Optional Gal Backing Ring on special request)


TEE ANGLE BRANCH - EQUAL PN16

Dia	Branch Dia	Branch Angle	Long Spigot
63	63	45 Deg	PBYE063
75	75	45 Deg	PBYE075
90	90	45 Deg	PBYE090
110	110	45 Deg	PBYE110
125	125	45 Deg	PBYE125
140	140	45 Deg	PBYE140
160	160	45 Deg	PBYE160
180	180	45 Deg	PBYE180
200	200	45 Deg	PBYE200
225	225	45 Deg	PBYE225
250	250	45 Deg	PBYE250




REDUCERS - CONCENTRIC PN16 (DN 25-200)

Dia	Dia	Short Spigot	Long Spigot
25	20	PBR025020	PBRE025020
32	20	PBR032020	PBRE032020
32	25	PBR032025	PBRE032025
40	20	PBR040020	PBRE040020
40	25	PBR040025	PBRE040025
40	32	PBR040032	PBRE040032
50	25	PBR050025	PBRE050025
50	32	PBR050032	PBRE050032
50	40	PBR050040	PBRE050040
63	25		PBRE063025
63	32	PBR063032	PBRE063032
63	40	PBR063040	PBRE063040
63	50	PBR063050	PBRE063050
75	32	PBR075032	PBRE075032
75	40	PBR075040	PBRE075040
75	50	PBR075050	PBRE075050
75	63	PBR075063	PBRE075063
90	50	PBR090050	PBRE090050
90	63	PBR090063	PBRE090063
90	75	PBR090075	PBRE090075
110	50	PBR110050	
110	63	PBR110063	PBRE110063
110	75	PBR110075	PBRE110075
110	90	PBR110090	PBRE110090
125	63	PBR125063	PBRE125063
125	75	PBR125075	PBRE125075
125	90	PBR125090	PBRE125090
125	110	PBR125110	PBRE125110
140	75	PBR140075	PBRE140075
140	90	PBR140090	PBRE140090
140	110	PBR140110	PBRE140110
140	125	PBR140125	PBRE140125
160	90	PBR160090	PBRE160090
160	110	PBR160110	PBRE160110
160	125	PBR160125	PBRE160125
160	140	PBR160140	PBRE160140
180	90	PBR180090	PBRE180090
180	110	PBR180110	PBRE180110
180	125	PBR180125	PBRE180125
180	140	PBR180140	PBRE180140
180	160	PBR180160	PBRE180160
200	110		PBRE200110
200	140	PBR200140	PBRE200140
200	160	PBR200160	PBRE200160
200	180	PBR200180	PBRE200180


REDUCERS - CONCENTRIC PN16 (DN 225-630)

Dia	Dia	Short Spigot	Long Spigot
225	110		PBRE225110
225	140	PBR225140	
225	160	PBR225160	PBRE225160
225	180	PBR225180	PBRE225180
225	200	PBR225200	PBRE225200
250	160	PBR250160	PBRE250160
250	180	PBR250180	PBRE250180
250	200	PBR250200	PBRE250200
250	225	PBR250225	PBRE250225
280	180		PBRE280180
280	200	PBR280200	PBRE280200
280	225	PBR280225	PBRE280225
280	250	PBR280250	PBRE280250
315	225	PBR315225	PBRE315225
315	250	PBR315250	PBRE315250
315	280	PBR315280	PBRE315280
355	250	PBR355250	PBRE355250
355	280	PBR355280	
355	315	PBR355315	PBRE355315
400	280	PBR400280	
400	315	PBR400315	
400	355	PBR400355	
450	315	PBR450315	
450	355	PBR450355	
450	400	PBR450400	
500	355	PBR500355	
500	400	PBR500400	
500	450	PBR500450	
560	400	PBR560400	
560	450	PBR560450	
560	500	PBR560500	
630	450	PBR630450	
630	500	PBR630500	
630	560	PBR630560	


REDUCERS - ECCENTRIC PN16

Dia	Dia	Short Spigot
160	90	PBRX16090
160	110	PBRX160110
160	125	PBRX160125
160	140	PBRX160140
180	110	PBRX180110
180	125	PBRX180125
180	140	PBRX180140
180	160	PBRX180160
200	125	PBRX200125
200	140	PBRX200140
200	160	PBRX200160
200	180	PBRX200180
225	140	PBRX225140
225	160	PBRX225160
225	180	PBRX225180
225	200	PBRX225200
250	160	PBRX250160
250	180	PBRX250180
250	200	PBRX250200
250	225	PBRX250225
280	180	PBRX280180
280	200	PBRX280200
280	225	PBRX280225
280	250	PBRX280250
315	200	PBRX315200
315	225	PBRX315225
315	250	PBRX315250
315	280	PBRX315280
355	225	PBRX355225
355	250	PBRX355250
355	280	PBRX355280
355	315	PBRX355315
400	250	PBRX400250
400	280	PBRX400280
400	315	PBRX400315
400	355	PBRX400355
450	280	PBRX450280
450	315	PBRX450315
450	355	PBRX450355
450	400	PBRX450400
500	280	PBRX500280
500	315	PBRX500315
500	355	PBRX500355
500	400	PBRX500400
500	450	PBRX500450
560	400	PBRX560400
560	450	PBRX560450
560	500	PBRX560500
630	450	PBRX630450
630	500	PBRX630500
630	560	PBRX630560


END CAPS – PN16

Dia	Short Spigot	Long Spigot
20	PBC020	PBCE020
25	PBC025	PBCE025
32	PBC032	PBCE032
40	PBC040	PBCE040
50	PBC050	PBCE050
63	PBC063	PBCE063
75	PBC075	PBCE075
90	PBC090	PBCE090
110	PBC110	PBCE110
125	PBC125	PBCE125
140	PBC140	PBCE140
160	PBC160	PBCE160
180	PBC180	PBCE180
200	PBC200	PBCE200
225	PBC225	PBCE225
250	PBC250	PBCE250
280	PBC280	PBCE280
315	PBC315	PBCE315
355	PBC355	PBCE355
400	PBC400	PBCE400
450	PBC450	PBCE450
500	PBC500	PBCE500
560	PBC560	PBCE560
630	PBC630	PBCE630


POLY BSP ADAPTORS - LONG SPIGOT PN16

Dia	BSP Dia	Male BSP	Female BSP
25	20	PBAFE025020	PBAME025020
32	25	PBAFE032025	PBAME032025
40	25	PBAFE040025	PBAME040025
40	32	PBAFE040032	PBAME040032
50	40	PBAFE050040	PBAME050040
63	40	PBAFE063040	PBAME063040
63	50	PBAFE063050	PBAME063050

FEATURES

- Full bore for optimal flow performance with minimal head loss
- Specially compounded nitrile seals designed to exceed valve life
- All plastic design for maximum corrosion resistance
- Integral Purge/Bypass ports for compact and reliable connections
- Open and Close indicators
- Precision manufacturing processes ensure lower operating torques
- ISO 9001 certified manufacturing facility
- Each valve includes a Traceability label



PE Ball Valve with Purge/Bypass connection points

TECHNICAL DATA

Standards:	EN 1555-4, EN 122201-4	
Size Range:	DN 20 – DN 400	Standard 1/4 Turn
	DN 160 – DN400	Gearbox Option 2 ½ Turn
Pressure Rating:	PE100, SDR 11 GAS, WATER PN 16	
Materials:	Polyethylene Body Polypropylene Ball Nitrile Seat and Seals	
Spigot Ends:	Suitable for butt welding and electrofusion welding	
Options:	Stem Extension Gearbox 2 ½ Turn – Short type or Extended type Purge Extensions – Single or Double Bypass Valve arrangement	



PE Ball Valve with Extended Gearbox



PE Ball Valve with Gearbox (Short) and Bypass Valve arrangement



TECHNICAL DATA

Standards:	AS/NZS 4129 PE Fittings - Flanged
Size Range:	DN 20 – DN 1200
Materials:	Stub Flanges - AS/NZS 4131 PE100 Polyethylene materials Backing Rings - AS/NZS 4331.1 Metallic Flanges (ISO 7005-1)
Pressure Range:	PE100 PN 16, PN 10, PN 20, PN 25
Spigot Options:	Short Spigot - Suitable for butt welding only Long Spigot - Suitable for butt welding and electrofusion welding
Flange Drillings:	AS 2129, AS 4087, ANSI 150 B16.5, ISO 7005
Backing Rings:	Refer to PIPA Guideline POP007 Metal Backing Flanges for PE, for backing ring details and flange joint installation



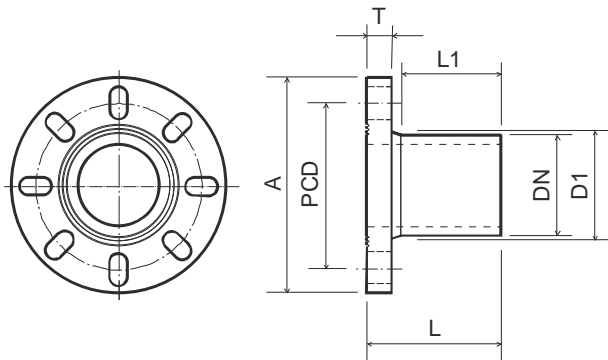
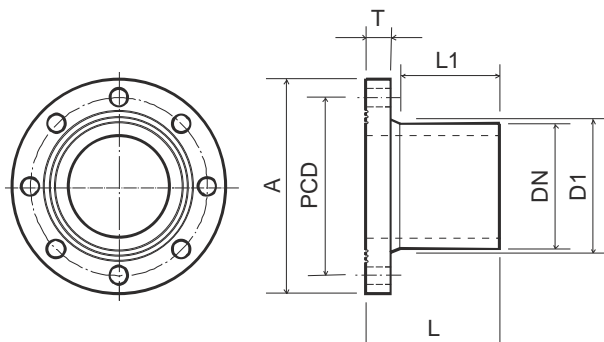
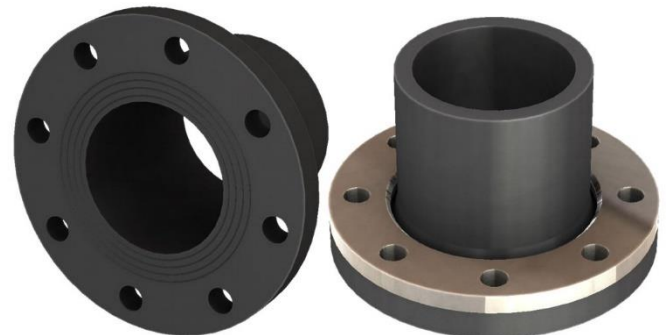
STUB FLANGES – PN16 **				
Dia	STANDARD		CHAMFERED (for Butterfly Valves)	
	Short Spigot	Long Spigot	Short Spigot	Long Spigot
25	PBF025	PBFE025		
32	PBF032	PBFE032		
40	PBF040	PBFE040		
50	PBF050	PBFE050		
63	PBF063	PBFE063		
75	PBF075	PBFE075		
90	PBF090	PBFE090		
110	PBF110	PBFE110	PBFC110	
125	PBF125	PBFE125	PBFC125	
140	PBF140	PBFE140	PBFC140	
160	PBF160	PBFE160	PBFC160	PBFCE160
180	PBF180	PBFE180	PBFC180	PBFCE180
200	PBF200	PBFE200	PBFC200	PBFCE200
225	PBF225	PBFE225	PBFC225	PBFCE225
250	PBF250	PBFE250	PBFC250	PBFCE250
280	PBF280	PBFE280	PBFC280	PBFCE280
315	PBF315	PBFE315	PBFC315	PBFCE315
355	PBF355	PBFE355	PBFC355	PBFCE355
400	PBF400	PBFE400	PBFC400	PBFCE400
450	PBF450	* PBFE450	PBFC450	* PBFCE450
500	PBF500	* PBFE500	PBFC500	* PBFCE500
560	PBF560	* PBFE560	PBFC560	* PBFCE560
630	PBF630	* PBFE630	PBFC630	* PBFCE630
710	PBF710	* PBFE710	PBFC710	* PBFCE710
800	PBF800	* PBFE800		

* Short spigot Stub supplied with pipe extension

** Other Pressure ratings available – PN 10 (full range); PN20 and PN25 (limited range)

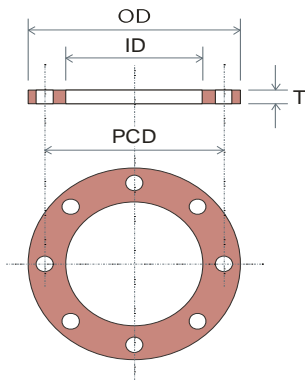
FULL FACE STUB FLANGES WITH SS BACKING RINGS – TABLE D

Drilling – AS4087 PN16, AS2129 Table D


Slotted FF Stub Flange

Standard FF Stub Flange

FULL FACE STUB FLANGE with 316 SS BACKING RING

Pipe OD	Drilling	A	PCD	D1	L	L1	T	No Holes	Hole Dia	Product code
90	Slotted 80-100 T/D	230	146-178	104	118	85	20	4	18	PBFFE090S
90	80 T/D	180	146	104	112	85	20	4	18	PBFFE090
110	100 T/D	215	178	124	127	85	20	4	18	PBFFE110
125	100 T/D	215	178	132	134	95	20	4	18	PBFFE125
180	150 T/D	280	235	183	137	110	22	8	22	PBFFE180
250	200 T/D	335	292	253	197	120	22	8	22	PBFFE250
315	250 T/D	405	356	315	230	190	22	8	22	PBFFE315
355	300 T/D	455	406	357	241	190	22	12	22	PBFFE355
450	375 T/D	580	495	450	285	230	26	12	26	PBFFE450

Special Request/Options: Other stub sizes and flange drillings can be machined to order.
Optional Galvanised backing rings can be machined to suit stub flange



BACKING RINGS – TABLE D

Drilling – AS4087 PN16, AS2129 Table D

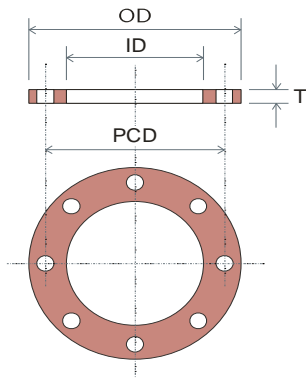

BACKING RINGS – TABLE D (STAINLESS STEEL AND GALVANISED STEEL)

Pipe OD	Drilling	OD	PCD	ID	No Holes	Hole Dia	Bolt Size	Thickness (T)		316SS Ring	Galv Ring
								316SS	Galv		
20	15 T/D	95	67	32	4	14	M12	6	6	PBFRS020DE	PBFR020DE
25	20 T/D	100	73	37	4	14	M12	6	6	PBFRS025DE	PBFR025DE
32	25 T/D	115	83	44	4	14	M12	7	7	PBFRS032DE	PBFR032DE
40	32 T/D	120	87	52	4	14	M12	8	8	PBFRS040DE	PBFR040DE
50	40 T/D	135	98	62	4	14	M12	9	9	PBFRS050DE	PBFR050DE
63	50 T/D	150	114	78	4	18	M16	10	10	PBFRS063DE	PBFR063DE
75	65 T/D	165	127	92	4	18	M16	10	10	PBFRS075DE	PBFR075DE
90	80 T/D	185	146	108	4	18	M16	11	11	PBFRS090DE	PBFR090DE
110	100 T/D	215	178	128	4	18	M16	10	10	PBFRS110	PBFR110
125	100 T/D	215	178	140	4	18	M16	10	10	PBFRS125100	PBFR125100
125	125 T/D	255	210	140	8	18	M16	13	13	PBFRS125	PBFR125
140	125 T/D	255	210	158	8	18	M16	13	13	PBFRS140	PBFR140
160	150 T/D	280	235	178	8	18	M16	13	13	PBFRS160	PBFR160
180	150 T/D	280	235	195	8	18	M16	13	13	PBFRS180	PBFR180
200	200 T/D	335	292	235	8	18	M16	13	13	PBFRS200	PBFR200
225	200 T/D	335	292	240	8	18	M16	13	13	PBFRS225	PBFR225
250	250 T/D	405	356	290	8	22	M20	16	16	PBFRS250	PBFR250
280	250 T/D	405	356	300	8	22	M20	16	16	PBFRS280	PBFR280
315	300 T/D	455	406	345	12	22	M20	19	19	PBFRS315	PBFR315
355	350 T/D	525	470	376	12	26	M24	22	22	PBFRS355	PBFR355
400	400 T/D	580	521	430	12	26	M24	22	22	PBFRS400	PBFR400
450	450 T/D	640	584	480	12	26	M24	25	25	PBFRS450	PBFR450
500	500 T/D	705	641	533	16	26	M24	29	29	PBFRS500	PBFR500
560	550 T/D	760	699	590	16	30	M27	29	29	PBFRS560	PBFR560
630	600 T/D	825	756	660	16	30	M27	32	32	PBFRS630	PBFR630
710	700 T/D	910	845	745	20	30	M27	35	35	PBFRS710	PBFR710
800	800 T/D	1060	984	835	20	36	M33	41	41	PBFRS800	PBFR800



BLANK FLANGES

 Available in Stainless Steel, Galvanised Steel and Polyethylene
 Contact **CIVILPIPES** for details



BACKING RINGS – TABLE E

Drilling – AS2129 Table E

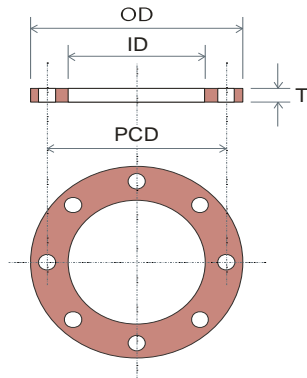

BACKING RINGS – TABLE E (STAINLESS STEEL AND GALVANISED STEEL)

Pipe OD	Drilling	OD	PCD	ID	No Holes	Hole Dia	Bolt Size	Thickness (T)		316SS Ring	Galv Ring
								316SS	Galv		
20	15 T/E	95	67	32	4	14	M12	6	6	PBFRS020DE	PBFR020DE
25	20 T/E	100	73	37	4	14	M12	6	6	PBFRS025DE	PBFR025DE
32	25 T/E	115	83	44	4	14	M12	7	7	PBFRS032DE	PBFR032DE
40	32 T/E	120	87	52	4	14	M12	8	8	PBFRS040DE	PBFR040DE
50	40 T/E	135	98	62	4	14	M12	9	9	PBFRS050DE	PBFR050DE
63	50 T/E	150	114	78	4	18	M16	10	10	PBFRS063DE	PBFR063DE
75	65 T/E	165	127	92	4	18	M16	10	10	PBFRS075DE	PBFR075DE
90	80 T/E	185	146	108	4	18	M16	11	11	PBFRS090DE	PBFR090DE
110	100 T/E	215	178	128	8	18	M16	13	13	PBFRS110E	PBFR110E
125	100 T/E	215	178	140	8	18	M16	13	13	PBFRS125100E	PBFR125100E
125	125 T/E	255	210	140	8	18	M16	14	14	PBFRS125E	PBFR125E
140	125 T/E	255	210	158	8	18	M16	14	14	PBFRS140E	PBFR140E
160	150 T/E	280	235	178	8	22	M20	17	17	PBFRS160E	PBFR160E
180	150 T/E	280	235	195	8	22	M20	17	17	PBFRS180E	PBFR180E
200	200 T/E	335	292	235	8	22	M20	19	19	PBFRS200E	PBFR200E
225	200 T/E	335	292	240	8	22	M20	19	19	PBFRS225E	PBFR225E
250	250 T/E	405	356	290	12	22	M20	22	22	PBFRS250E	PBFR250E
280	250 T/E	405	356	300	12	22	M20	22	22	PBFRS280E	PBFR280E
315	300 T/E	455	406	345	12	26	M24	25	25	PBFRS315E	PBFR315E
355	350 T/E	525	470	376	12	26	M24	29	29	PBFRS355E	PBFR355E
400	400 T/E	580	521	430	12	26	M24	32	32	PBFRS400E	PBFR400E
450	450 T/E	640	584	480	16	26	M24	35	35	PBFRS450E	PBFR450E
500	500 T/E	705	641	533	16	26	M24	38	38	PBFRS500E	PBFR500E
560	550 T/E	760	699	590	16	30	M27	44	44	PBFRS560E	PBFR560E
630	600 T/E	825	756	660	16	33	M30	48	48	PBFRS630E	PBFR630E
710	700 T/E	910	845	745	20	33	M30	51	51	PBFRS710E	PBFR710E
800	800 T/E	1060	984	835	20	36	M33	54	54	PBFRS800E	PBFR800E



BLANK FLANGES

 Available in Stainless Steel, Galvanised Steel and Polyethylene
 Contact **CIVILPIPES** for details



BACKING RINGS – ANSI 150

Drilling – ANSI 150 B16.5 - 150lb



BACKING RINGS – ANSI 150 (STAINLESS STEEL AND GALVANISED STEEL)

Pipe OD	Drilling	OD	PCD	ID	No Holes	Hole Dia	Bolt Size	Thickness (T)		316SS Ring	Galv Ring
								316SS	Galv		
20	15 A150	90	60.5	32	4	16	1/2"	6	6	PBFRS020A	PBFR020A
25	20 A150	98	70	37	4	16	1/2"	6	6	PBFRS025A	PBFR025A
32	25 A150	108	79.5	44	4	16	1/2"	7	7	PBFRS032A	PBFR032A
40	32 A150	117	89	52	4	16	1/2"	8	8	PBFRS040A	PBFR040A
50	40 A150	127	98.5	62	4	16	1/2"	9	9	PBFRS050A	PBFR050A
63	50 A150	152	120.5	78	4	20	5/8"	10	10	PBFRS063A	PBFR063A
75	65 A150	178	139.5	92	4	20	5/8"	10	10	PBFRS075A	PBFR075A
90	80 A150	191	152	108	4	20	5/8"	11	11	PBFRS090A	PBFR090A
110	100 A150	229	190.5	128	8	20	5/8"	13	13	PBFRS110A	PBFR110A
125	125 A150	254	216	140	8	23	3/4"	13	13	PBFRS125A	PBFR125A
140	125 A150	254	216	158	8	23	3/4"	14	14	PBFRS140A	PBFR140A
160	150 A150	279	241	178	8	23	3/4"	17	17	PBFRS160A	PBFR160A
180	150 A150	279	241	195	8	23	3/4"	17	17	PBFRS180A	PBFR180A
200	200 A150	343	298.5	235	8	23	3/4"	19	19	PBFRS200A	PBFR200A
225	200 A150	343	298.5	240	8	23	3/4"	19	19	PBFRS225A	PBFR225A
250	250 A150	406	362	290	12	26	7/8"	22	22	PBFRS250A	PBFR250A
280	250 A150	406	362	300	12	26	7/8"	22	22	PBFRS280A	PBFR280A
315	300 A150	483	432	345	12	26	7/8"	25	25	PBFRS315A	PBFR315A
355	350 A150	535	476	376	12	29	1"	29	29	PBFRS355A	PBFR355A
400	400 A150	600	540	430	16	29	1"	32	32	PBFRS400A	PBFR400A
450	450 A150	635	578	480	16	32	1 1/8"	35	35	PBFRS450A	PBFR450A
500	500 A150	700	635	533	20	32	1 1/8"	38	38	PBFRS500A	PBFR500A
560	550 A150	750	692	590	20	35	1 1/4"	44	44	PBFRS560A	PBFR560A
630	600 A150	813	749	660	20	35	1 1/4"	48	48	PBFRS630A	PBFR630A

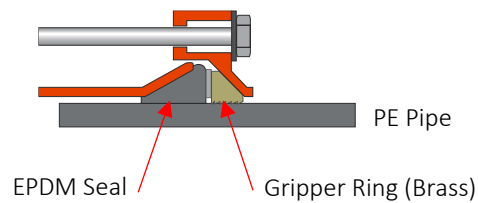


BLANK FLANGES

 Available in Stainless Steel, Galvanised Steel and Polyethylene
 Contact **CIVILPIPES** for details

PE RESTRAINT FITTINGS & VALVES

Application	Potable, non-potable and sewer systems
Features	Full restraint fitting for joining PE Pipes
Size Range	63 to 355 OD
Working Pressure:	PN16 (Water)
Joining:	A support liner is required for thin wall PE pipes <3mm and low pressure pipes.



GRIPPER – ARRANGEMENT



COUPLINGS – PE RESTRAINT

Dia	Code
90	DGG09
110	DGG11
125	DGG12
160	DGC16
180	DGG18
200	DGG20
225	DGG22
250	DGG25
280	DGG28
315	DGG31
355	DGG35



FLANGE ADAPTOR – PE RESTRAINT / FL

Dia	Flange AS4087	Code
90	80	DGGF0908
110	100	DGGF1110
125	100	DGGF1210
160	150	DGGF1615
180	150	DGGF1815
200	200	DGGF2020
225	200	DGGF2220
225	225	DGGF2222
250	200	DGGF2520
250	250	DGGF2525
280	250	DGGF2825
315	250	DGGF3125
315	300	DGGF3130
355	300	DGGF3530



END CAP – PE RESTRAINT

Dia	BSP Outlet	Code
90	50	DGGB0950
110	50	DGGB1150
125	50	DGGB1250
160	50	DGGB1650
180	50	DGGB1850
200	50	DGGB2050
225	50	DGGB2250
250	50	DGGB2550
280	50	DGGB2850
315	50	DGGB3150



GATE VALVES – PE RESTRAINT

AS2638.2 Resilient Seat PN16

Dia	Anti-clockwise Close	Clockwise Close
63	VGG06	VGG06C
90	VGG09	VGG09C
110	VGG11	VGG11C
125	VGG12	VGG12C
160	VGG16	VGG16C
180	VGG18	VGG18C
200	VGG20	VGG20C
225	VGG22	VGG22C
250	VGG25	VGG25C
280	VGG28	VGG28C
315	VGG31	VGG31C



GATE VALVES – FLANGED ENDS

AS2638.2 Resilient Seat PN16 AS4087

Dia	Anti-clockwise Close	Clockwise Close
80	VGf08	VGf08C
100	VGf10	VGf10C
150	VGf15	VGf15C
200	VGf20	VGf20C
225	VGf22	VGf22C
250	VGf25	VGf25C
300	VGf30	VGf30C

Available Range: 65 NB to 600 NB

WAGA RESTRAINT FITTINGS



Application	Potable and non-potable systems Suitable for DI, CI, Steel and PE pipes Below and above ground applications
Features	Wide range restraint fitting Joins both flexible and rigid pipes
Size Range	DN 50 to DN 400
Working Pressure:	PN16 - DN 50 to DN 300 (Water) PN10 - DN 350 to DN 400 (Water)
Joining:	SS Insert Stiffener is required for PE pipes
Deflection:	8 deg Max per end connection
Certification:	WSAA Appraisal Report 1428



COUPLING - UNIVERSAL RESTRAINT			
Dia	Range End 1	Range End 2	Code
50	46 - 71	46 - 71	DGW050
65	63 - 90	63 - 90	DGW065
80	84 - 105	84 - 105	DGW080
100	104 - 132	104 - 132	DGW100
125	132 - 155	132 - 155	DGW125
150	154 - 192	154 - 192	DGW150
200	192 - 232	192 - 232	DGW200
225	230 - 268	230 - 268	DGW225
250	267 - 310	267 - 310	DGW250
300	315 - 356	315 - 356	DGW300
350	352 - 393	352 - 393	DGW350
400	392 - 433	392 - 433	DGW400



COUPLING REDUCING - UNIVERSAL RESTRAINT			
Dia	Range End 1	Range End 2	Code
50 - 65	46 - 71	63 - 90	DGW050065
65 - 80	63 - 90	84 - 105	DGW065080
80 - 100	84 - 105	104 - 132	DGW080100
100 - 125	104 - 132	132 - 155	DGW100125
100 - 150	104 - 132	154 - 192	DGW100150
125 - 150	132 - 155	154 - 192	DGW125150
150 - 200	154 - 192	192 - 232	DGW150200
200 - 225	192 - 232	230 - 268	DGW200225
225 - 250	230 - 268	267 - 310	DGW225250
250 - 300	267 - 310	315 - 356	DGW250300
300 - 350	315 - 356	352 - 393	DGW300350
350 - 400	352 - 393	392 - 433	DGW350400



FLANGE ADAPTOR - UNIVERSAL RESTRAINT

DN	Range End 1	Range End 2	Code
50	46 - 71	50 T/D	DGWF050
65	63 - 90	65 T/D	DGWF065
80	84 - 105	80 T/D	DGWF080
100	104 - 132	100 T/D	DGWF100
125	132 - 155	125 T/D	DGWF125
150	154 - 192	150 T/D	DGWF150
200	192 - 232	200 T/D	DGWF200
250	267 - 310	250 T/D	DGWF250
300	315 - 356	300 T/D	DGWF300
350	352 - 393	350 T/D	DGWF350
400	392 - 433	400 T/D	DGWF400



FLANGE ADAPTOR REDUCING- UNIVERSAL RESTRAINT

DN - DN	Range End 1	Flange End 2	Code
50 - 40	46 - 71	40 T/D	DGWF050040
65 - 80	63 - 90	80 T/D	DGWF065080
100 - 80	104 - 132	80 T/D	DGWF100080
125 - 100	132 - 155	100 T/D	DGWF125100
125 - 150	132 - 155	150 T/D	DGWF125150
150 - 100	154 - 192	100 T/D	DGWF150100
200 - 150	192 - 232	150 T/D	DGWF200150
225 - 200	230 - 268	200 T/D	DGWF225200
225 - 250	230 - 268	250 T/D	DGWF225250
300 - 250	315 - 356	250 T/D	DGWF300250
350 - 300	352 - 393	300 T/D	DGWF350300



END CAP - UNIVERSAL RESTRAINT

DN	Range	Blank	Tapped 50 BSP
50	46 - 71	DGWB050	DGWB05050
65	63 - 90	DGWB065	DGWB06550
80	84 - 105	DGWB080	DGWB08050
100	104 - 132	DGWB100	DGWB10050
125	132 - 155	DGWB125	DGWB12550
150	154 - 192	DGWB150	DGWB15050
200	192 - 232	DGWB200	DGWB20050
225	230 - 268	DGWB225	DGWB22550
250	267 - 310	DGWB250	DGWB25050
300	315 - 356	DGWB300	DGWB30050
400	392 - 433	DGWB400	DGWB40050





TECHNICAL DATA

Standard:	AS/NZS 4129
Size Range:	DN 15 to DN 160
Materials:	Polypropylene Body NBR Seals
Pressure Range:	PN16 (DN16-DN125) PN10 (DN160)
Application:	Suitable for potable water systems



COUPLINGS – PN16

Dia	Dia	Standard	Reducing	Slip Coupling
20	20	PCC020		PCCS020
25	20		PCC025020	
25	25	PCC025		PCCS025
32	20		PCC032020	
32	25		PCC032025	
32	32	PCC032		PCCS032
40	25		PCC040025	
40	32		PCC040032	
40	40	PCC040		PCCS040
50	25		PCC050025	
50	32		PCC050032	
50	40		PCC050040	
50	50	PCC050		PCCS050
63	25		PCC063025	
63	32		PCC063032	
63	40		PCC063040	
63	50		PCC063050	
63	63	PCC063		PCCS063
75	50		PCC075050	
75	63		PCC075063	
75	75	PCC075		PCCS075
90	63		PCC090063	
90	75		PCC090075	
90	90	PCC090		PCCS090
110	63		PCC110063	
110	90		PCC110090	
110	110	PCC110		PCCS110
125	125	PCC125		PCCS125


BSP ADAPTORS - PN16

Dia	BSP Dia	Male BSP	Female BSP
20	20	PCAM020020	PCAF020020
20	25		PCAF020025
25	20	PCAM025020	PCAF025020
25	25	PCAM025025	PCAF025025
32	20	PCAM032020	PCAF032020
32	25	PCAM032025	PCAF032025
32	32	PCAM032032	PCAF032032
40	25	PCAM040025	PCAF040025
40	32	PCAM040032	PCAF040032
40	40	PCAM040040	PCAF040040
50	25	PCAM050025	
50	32	PCAM050032	PCAF050032
50	40	PCAM050040	PCAF050040
50	50	PCAM050050	PCAF050050
63	32	PCAM063032	PCAF063032
63	40	PCAM063040	PCAF063040
63	50	PCAM063050	PCAF063050
63	65	PCAM063065	
75	50	PCAM075050	PCAF075050
75	65	PCAM075065	PCAF075065
75	80	PCAM075080	
90	50	PCAM090050	PCAF090050
90	65	PCAM090065	
90	80	PCAM090080	
90	100	PCAM090100	
110	50	PCAM110050	
110	80	PCAM110080	
110	100	PCAM110100	


PE - COPPER FITTINGS PN16

PE Dia	Cu Dia	Coupling	Elbow	Tee
20	15	PCCC020015	PCEC020015	PCTC020015
20	20	PCCC020020	PCEC020020	
25	15	PCCC025015	PCEC025015	PCTC025015
25	20	PCCC025020	PCEC025020	PCTC025020
25	25	PCCC025025	PCEC025025	PCTC025025
32	20	PCCC032020		
32	25	PCCC032025		PCTC032025



PE - UNIVERSAL FITTINGS PN16			
PE Dia	Univ Dia	Coupling	Elbow
25	15-21	PCCU0251521	PCEU0251521
25	21-27	PCCU0252127	PCEU0252127
25	27-34	PCCU0252734	PCEU0252734
32	21-27		PCEU0322127
32	27-34	PCCU0322734	PCEU0322734
32	34-39	PCCU0323439	



ELBOWS - PN16			
Dia	Dia	90 Deg	45 Deg
20	20	PCE020	
25	20	PCE025020	
25	25	PCE025	
32	32	PCE032	PCE03245
40	40	PCE040	PCE04045
50	50	PCE050	PCE05045
63	63	PCE063	PCE06345
75	75	PCE075	PCE07545
90	90	PCE090	PCE09045
110	110	PCE110	PCE11045



BSP ELBOWS - PN16			
Dia	Dia	Male BSP 90d	Female BSP 90d
20	20	PCEM020020	PCEF020020
25	20	PCEM025020	PCEF025020
25	25	PCEM025025	PCEF025025
32	20	PCEM032020	PCEF032020
32	25	PCEM032025	PCEF032025
32	32	PCEM032032	PCEF032032
40	25	PCEM040025	PCEF040025
40	32	PCEM040032	PCEF040032
40	40	PCEM040040	PCEF040040
40	50		PCEF040050
50	25	PCEM050025	PCEF050025
50	32	PCEM050032	PCEF050032
50	40	PCEM050040	PCEF050040
50	50	PCEM050050	PCEF050050
63	32	PCEM063032	PCEF063032
63	40	PCEM063040	PCEF063040
63	50	PCEM063050	PCEF063050
75	50		PCEF075050
75	65	PCEM075065	PCEF075065
75	80	PCEM075080	
90	80	PCEM090080	
110	100	PCEM110100	



TEES - PN16				
Dia	Branch Dia	Standard	Reducing	Slip Tee
20	20	PCT020		PCTS020
25	20		PCT025020	
25	25	PCT025		PCTS025
25	32		PCT025032	
32	25		PCT032025	
32	32	PCT032		PCTS032
40	25		PCT040025	
40	32		PCT040032	
40	40	PCT040		PCTS040 **
50	25		PCT050025	
50	32		PCT050032	
50	40		PCT050040	
50	50	PCT050		PCTS050 **
63	32		PCT063032	
63	40		PCT063040	
63	50		PCT063050	
63	63	PCT063		PCTS063 **
75	63		PCT075063	
75	75	PCT075		
90	90	PCT090		
110	63		PCT110063	
110	110	PCT110		

** PN12.5 rated

BSP TEES - PN16			
Dia	Branch BSP	Male BSP	Female BSP
20	20	PCTM020020	PCTF020020
25 - 20	20		PCTF025020020
25	20	PCTM025020	PCTF025020
25	25		PCTF025025
25	32		PCTF025032
32	20		PCTF032020
32 - 25	25		PCTF032025025
32	25	PCTM032025	PCTF032025
32	32		PCTF032032
32	40		PCTF032040
40	25		PCTF040025
40	32	PCTM040032	PCTF040032
40	40	PCTM040040	PCTF040040
40	50		PCTF040050
50	32	PCTM050032	
50	40	PCTM050040	PCTF050040
50	50	PCTM050050	PCTF050050
63	32	PCTM063032	
63	40	PCTM063040	PCTF063040
63	50	PCTM063050	PCTF063050
75	50		PCTF075050
75	65		PCTF075065



END CAPS & PLUGS		
Dia	END CAP PN16	END PLUG PN12.5
20	PCBC020	PCBP020
25	PCBC025	PCBP025
32	PCBC032	PCBP032
40	PCBC040	PCBP040
50	PCBC050	PCBP050
63	PCBC063	PCBP063
75	PCBC075	
90	PCBC090	
110	PCBC110	



Purple (Recycled) option available

TAPPING BANDS – 4N NORYL PN16					
Dia	20 BSP	25 BSP	32 BSP	40 BSP	50 BSP
63	TBNPE0620	TBNPE0625			
90	TBNPE0920	TBNPE0925	TBNPE0932	TBNPE0940	TBNPE0950
110	TBNPE1120	TBNPE1125	TBNPE1132	TBNPE1140	TBNPE1150
125	TBNPE1220	TBNPE1225	TBNPE1232	TBNPE1240	TBNPE1250
160	TBNPE1620	TBNPE1625	TBNPE1632	TBNPE1640	TBNPE1650
180	TBNPE1820	TBNPE1825	TBNPE1832	TBNPE1840	TBNPE1850
225	TBNPE2220	TBNPE2225	TBNPE2232	TBNPE2240	TBNPE2250
315	TBNPE3120	TBNPE3125	TBNPE3132	TBNPE3140	TBNPE3150



TAPPING BANDS – PE PN16 (SS BOLTS)					
Dia	20 BSP	25 BSP	32 BSP	40 BSP	50 BSP
25	TBPE0220				
32	TBPE0320	TBPE0325			
40	TBPE0420	TBPE0425			
50	TBPE0520	TBPE0525	TBPE0532		
63	TBPE0620	TBPE0625	TBPE0632	TBPE0640	
75	TBPE0720	TBPE0725	TBPE0732	TBPE0740	TBPE0750
140			TBPE1432	TBPE1440	TBPE1450



TECHNICAL DATA

Size Range:	DN 6 to DN 100	
Materials:	Poly	Polypropylene or Glass Reinforced Nylon to ISO 7.1
	Brass	DR brass compliant to AS3688
	SS 316	Stainless Steel Gr 316 to ISO7.1 Class 150
Pressure Range:	PN16	Poly fittings DN 6 - DN50. Brass and SS fittings all sizes
	PN12	Poly fittings DN65
	PN10	Poly fittings DN80 – DN100
Certification:	AS/NZS 4020 - Suitable for potable water applications	



BSP HEX BUSHES			
Dia	Poly	Brass	SS 316
25 x 15	BSB2515PE	BSB2515	BSB2515S
25 x 20	BSB2520PE	BSB2520	BSB2520S
32 x 20	BSB3220PE	BSB3220	BSB3220S
32 x 25	BSB3225PE	BSB3225	BSB3225S
40 x 20	BSB4020PE	BSB4020	BSB4020S
40 x 25	BSB4025PE	BSB4025	BSB4025S
40 x 32	BSB4032PE	BSB4032	BSB4032S
50 x 20	BSB5020PE	BSB5020	BSB5020S
50 x 25	BSB5025PE	BSB5025	BSB5025S
50 x 32	BSB5032PE	BSB5032	BSB5032S
50 x 40	BSB5040PE	BSB5040	BSB5040S
65 x 50	BSB6550PE	BSB6550	BSB6550S
80 x 40	BSB8040PE	BSB8040	BSB8040S
80 x 50	BSB8050PE	BSB8050	BSB8050S
80 x 65	BSB8065PE	BSB8065	BSB8065S
100 x 50	BSB10050PE	BSB10050	BSB10050S
100 x 65	BSB10650PE	BSB10650	BSB10650S
100 x 80	BSB10080PE	BSB10080	BSB10080S


BSP HEX NIPPLES

Dia	Poly	Brass	SS 316
20	BSN20PE	BSN20	BSN20S
25	BSN25PE	BSN25	BSN25S
25 x 15	BSN2515PE	BSN2515	BSN2515S
25 x 20	BSN2520PE	BSN2520	BSN2520S
32	BSN32PE	BSN32	BSN32S
32 x 20	BSN3220PE	BSN3220	BSN3220S
32 x 25	BSN3225PE	BSN3225	BSN3225S
40	BSN40PE	BSN40	BSN40S
40 x 20	BSN4020PE	BSN4020	BSN4020S
40 x 25	BSN4025PE	BSN4025	BSN4025S
40 x 32	BSN4032PE	BSN4032	BSN4032S
50	BSN50PE	BSN50	BSN50S
50 x 20	BSN5020PE	BSN5020	BSN5020S
50 x 25	BSN5025PE	BSN5025	BSN5025S
50 x 32	BSN5032PE	BSN5032	BSN5032S
50 x 40	BSN5040PE	BSN5040	BSN5040S
65	BSN65PE	BSN65	BSN65S
80	BSN80PE	BSN80	BSN80S
80 x 50	BSN8050PE	BSN8050	BSN8050S
80 x 65	BSN8065PE	BSN8065	BSN8065S
100	BSN100PE	BSN100	BSN100S
100 x 50	BSN10050PE	BSN10050	BSN10050S
100 x 80	BSN10080PE	BSN10080	BSN10080S


BSP HEX SOCKETS

Dia	Poly	Brass	SS 316
20	BSS20PE	BSS20	BSS20S
25	BSS25PE	BSS25	BSS25S
25 x 20	BSS2520PE	BSS2520	BSS2520S
32	BSS32PE	BSS32	BSS32S
32 x 20	BSS3220PE	BSS3220	BSS3220S
32 x 25	BSS3225PE	BSS3225	BSS3225S
40	BSS40PE	BSS40	BSS40S
40 x 20	BSS4020PE	BSS4020	BSS4020S
40 x 25	BSS4025PE	BSS4025	BSS4025S
40 x 32	BSS4032PE	BSS4032	BSS4032S
50	BSS50PE	BSS50	BSS50S
50 x 25	BSS5025PE	BSS5025	BSS5025S
50 x 32	BSS5032PE	BSS5032	BSS5032S
50 x 40	BSS5040PE	BSS5040	BSS5040S
65	BSS65PE	BSS65	BSS65S
80	BSS80PE	BSS80	BSS80S
80 x 40	BSS8040PE	BSS8040	BSS8040S
80 x 50	BSS8050PE	BSS8050	BSS8050S
80 x 65	BSS8065PE	BSS8065	BSS8065S
100	BSS100PE	BSS100	BSS100S
100 x 50	BSS10050PE	BSS10050	BSS10050S
100 x 80	BSS10080PE	BSS10080	BSS10080S



BSP TEES FI-FI-FI			
Dia	Poly	Brass	SS 316
20	BST20PE	BST20	BST20S
25	BST25PE	BST25	BST25S
32	BST32PE	BST32	BST32S
40	BST40PE	BST40	BST40S
50	BST50PE	BST50	BST50S
65	BST65PE	BST65	BST65S
80	BST80PE	BST80	BST80S
100	BST100PE	BST100	BST100S



BSP ELBOWS FI-FI			
Dia	Poly	Brass	SS 316
20	BSEF20PE	BSEF20	BSEF20S
25	BSEF25PE	BSEF25	BSEF25S
32	BSEF32PE	BSEF32	BSEF32S
40	BSEF40PE	BSEF40	BSEF40S
50	BSEF50PE	BSEF50	BSEF50S
65	BSEF65PE	BSEF65	BSEF65S
80	BSEF80PE	BSEF80	BSEF80S
100	BSEF100PE	BSEF100	BSEF100S



BSP ELBOWS MI-FI			
Dia	Poly	Brass	SS 316
20	BSEMF20PE	BSEMF20	BSEMF20S
25	BSEMF25PE	BSEMF25	BSEMF25S
32	BSEMF32PE	BSEMF32	BSEMF32S
40	BSEMF40PE	BSEMF40	BSEMF40S
50	BSEMF50PE	BSEMF50	BSEMF50S
65	BSEMF65PE	BSEMF65	BSEMF65S
80	BSEMF80PE	BSEMF80	BSEMF80S
100	BSEMF100PE	BSEMF100	BSEMF100S



BSP END CAPS			
Dia	Poly	Brass	SS 316
20	BSC20PE	BSC20	BSC20S
25	BSC25PE	BSC25	BSC25S
32	BSC32PE	BSC32	BSC32S
40	BSC40PE	BSC40	BSC40S
50	BSC50PE	BSC50	BSC50S
65	BSC65PE	BSC65	BSC65S
80	BSC80PE	BSC80	BSC80S
100	BSC100PE	BSC100	BSC100S



BSP END PLUGS			
Dia	Poly	Brass	SS 316
20	BSP20PE	BSP20	BSP20S
25	BSP25PE	BSP25	BSP25S
32	BSP32PE	BSP32	BSP32S
40	BSP40PE	BSP40	BSP40S
50	BSP50PE	BSP50	BSP50S
65	BSP65PE	BSP65	BSP65S
80	BSP80PE	BSP80	BSP80S
100	BSP100PE	BSP100	BSP100S



BSP UNIONS FI-FI			
Dia	Poly	Brass	SS 316
20	PSU020PE	PSU020	PSU020S
25	PSU025PE	PSU025	PSU025S
32	PSU032PE	PSU032	PSU032S
40	PSU040PE	PSU040	PSU040S
50	PSU050PE	PSU050	PSU050S
65		PSU065	PSU065S
80		PSU080	PSU080S
80		PSU100	PSU100S



BSP RISERS - THREADED BOTH ENDS			
Dia x Length	Poly	Gal Steel	SS 316 Sch10
20 x 150L	BSR20015PE	BSR20015G	BSR20015S
20 x 300L	BSR20030PE	BSR20030G	BSR20030S
20 x 450L	BSR20045PE	BSR20045G	BSR20045S
20 x 600L	BSR20060PE	BSR20060G	BSR20060S
25 x 150L	BSR25015PE	BSR25015G	BSR25015S
25 x 300L	BSR25030PE	BSR25030G	BSR25030S
25 x 450L	BSR25045PE	BSR25045G	BSR25045S
25 x 600L	BSR25060PE	BSR25060G	BSR25060S
32 x 150L	BSR32015PE	BSR32015G	BSR32015S
32 x 300L	BSR32030PE	BSR32030G	BSR32030S
32 x 450L	BSR32045PE	BSR32045G	BSR32045S
32 x 600L	BSR32060PE	BSR32060G	BSR32060S
40 x 150L	BSR40015PE	BSR40015G	BSR40015S
40 x 300L	BSR40030PE	BSR40030G	BSR40030S
40 x 450L	BSR40045PE	BSR40045G	BSR40045S
40 x 600L	BSR40060PE	BSR40060G	BSR40060S
50 x 150L	BSR50015PE	BSR50015G	BSR50015S
50 x 300L	BSR50030PE	BSR50030G	BSR50030S
50 x 450L	BSR50045PE	BSR50045G	BSR50045S
50 x 600L	BSR50060PE	BSR50060G	BSR50060S



Compression Wrench



Strap Wrench



Chamfer Tool



Deburrer Tool



Scissor Cutter



Ratchet Cutter



Quick Release Cutter



Guillotine Cutter



Rotational Pipe Cutter

PE COMPRESSION TOOLS

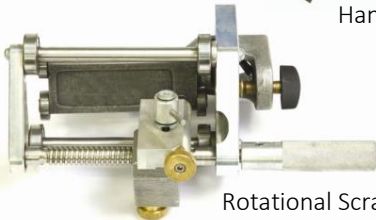
Dia Range	Type	Product Code
40 - 75	PE Compression Wrench	PCZW075
63 - 125	PE Compression Wrench	PCZW125
32 - 125	Strap Wrench 300Long	PCZWS30
32 - 125	Strap Wrench 450 Long	PCZWS45
16 - 63	PE Chamfering Tool	PPZCT1663
16 - 50	PE Deburrer Tool	PPZDT1650

PE PIPE CUTTERS

Dia Range	Type	Product Code
16 - 32	Scissor Cutter SC1	PPZPC32
16 - 40	Ratchet Cutter RS1	PPZPC40
16 - 63	Ratchet Cutter RS2	PPZPC63
110 - 160	Quick Release Cutter TC6Q	PPZPC160
160 - 250	Quick Release Cutter TC8Q	PPZPC250
90 - 225	Guillotine Cutter HPC8	PPZPCG225
125 - 315	Guillotine Cutter HPC12	PPZPCG315
160 - 355	Rotational Pipe Cutter PCJ355	PPZPCJ355
355 - 630	Rotational Pipe Cutter PCJ630	PPZPCJ630



Hand Scraper



Rotational Scraper



Rotational Chain Scraper



Electrical Saddle Scraper

ELECTROFUSION CONTROL BOXES

Dia Range	Type	Product Code
20 - 800	PF Polymatic Plus USB Barcode Reader, 5m Cable, 8-48V DN 20 - 355 Continuous Welding. DN 400 - 800 Cool down required between welds Options - 10m and 15m Cables	PEZCBPPM
20 - 1200	PF Polycontrol Plus USB, Barcode Reader, 8-48V 10m Cable (Optional Cable extensions available) Active Cooling - Continuous welding for all EF sizes	PEZCBPPC

Other Models available upon request

ACCESSORIES Electrofusion Adaptors

	4.7mm to 4.0mm Pin Adaptors Straight	PEZA4740S
	4.0mm to 4.7mm Pin Adaptors Straight	PEZA4047S
	4.7mm to 4.0mm Pin Adaptors 90 deg	PEZA4740
	4.0mm to 4.7mm Pin Adaptors 90 deg	PEZA4047

Electrofusion Cleaning

	Isopropyl EF Cleaning Wipes 75 XL sheets	PEZWIPESXL
--	--	------------

PE PIPE SCRAPERS

Dia Range	Type	Product Code
	Hand Scraper Std 40mm	PEZSCRH
	Hand Scraper Large 65mm	PEZSCRHL
63 - 250	Rotational Scraper GF	PEZSCR250
110 - 400	Rotational Scraper GF	PEZSCR400
110 - 500	Rotational Scraper GF	PEZSCR500
355 - 710	Rotational Scraper GF	PEZSCR710
250 - 450	Rotational Chain Scraper PF	PEZSCRC450
250 - 800	Rotational Chain Scraper PF	PEZSCRC800
250 - 1000	Rotational Chain Scraper GF	PEZSCRC1000
110 - 1200	Electrical Saddle Scraper PF	PEZSCRSE



Straight Clamp



Straight with Knuckle Joint



Straight with Ratchet runner

T-Adaptor



Straight Knuckle with T-Adaptor and T-Adaptor Clamp assembly



Top Load Clamp



Saddle Clamp Kit
DN 90 – 160 Outlets

PE PIPE STRAP CLAMPS

Dia Range	Type	Product Code
40 - 200	2 Strap Clamp - Straight	PEZSC200S2
40 - 200	4 Strap Clamp - Straight	PEZSC200S4
160 - 500	2 Strap Clamp - Straight	PEZSC500S2
40 - 200	2 Strap Clamp - Knuckle Joint (0 - 90 deg)	PEZSC200K2
40 - 200	4 Strap Clamp - Knuckle Joint (0 - 90 deg)	PEZSC200K4
40 - 200	4 Strap Clamp - Straight Ratchet runner	PEZSC200S4R
160 - 500	4 Strap Clamp - Straight Ratchet runner	PEZSC500S4R
40 - 200	T-Adaptor for Strap Clamp	PEZSC200TA
160 - 500	T-Adaptor for Strap Clamp	PEZSC500TA
40 - 200	T-Adaptor Clamp assembly	PEZSC200TAC
160 - 500	T-Adaptor Clamp assembly	PEZSC500TAC

Other Models and Sizes available upon request

Notes:

Knuckle Joints can be adjusted to suit 22.5, 45 and 90 deg angles.

T-Adaptor with additional T-Adaptor Clamp is required for securing Tees,

T-Adaptor can be connected to all strap clamp models

PE SADDLE TOP LOAD CLAMPS

Dia Range	Type	Product Code
63 - 500	Top Load Clamp FP	PEZTLCFP
250 - 800	Saddle Clamp Kit PF (DN 90, 110, 140 and 160 Outlets)	PEZTLCK800



PE PIPE DEBEADING TOOLS		
Dia Range	Type	Product Code
75 - 400	External Bead remover	PBZBRE400
400 - 900	External Bead remover	PBZBRE900

Other sizes and Internal bead removal tools available on special request



Manual Squeeze Off

PE PIPE SQUEEZE TOOLS		
Dia Range	Type	Product Code
16 - 32	Pipe Squeeze off tool - Manual	PPZSQT1632
16 - 63	Pipe Squeeze off tool - Manual	PPZSQT1663
63 - 200	Pipe Squeeze off tool - Hydraulic Unit	PPZSQT63200
63	Rerounding clamp - Post Squeeze off	PPZSQTRC63
75	Rerounding clamp - Post Squeeze off	PPZSQTRC75
90	Rerounding clamp - Post Squeeze off	PPZSQTRC90
110	Rerounding clamp - Post Squeeze off	PPZSQTRC110
125	Rerounding clamp - Post Squeeze off	PPZSQTRC125
160	Rerounding clamp - Post Squeeze off	PPZSQTRC160
180	Rerounding clamp - Post Squeeze off	PPZSQTRC180
200	Rerounding clamp - Post Squeeze off	PPZSQTRC200



Rerounding Clamp



Rounding tools

PE PIPE ROUNDING TOOLS	
Dia Range	Type
20 - 280	Rounding Tool individual sizes – one tool required for each side
63 - 400	Rounding Clamps (DN63-180, DN110-250, DN180-315, DN250-400)
315 - 900	Hydraulic Jacks with rounding shells



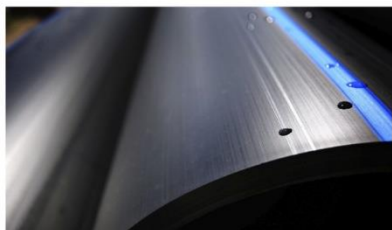
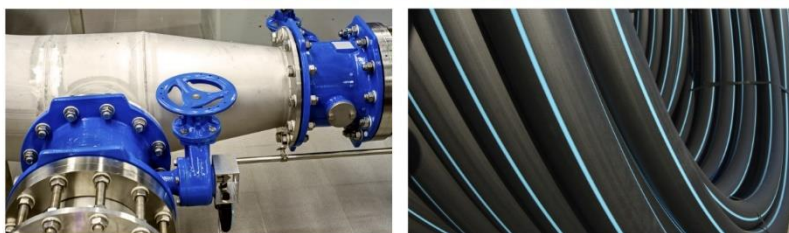
Rounding Clamp

COMPLETE RANGE OF TOOLS & ACCESSORIES...

Contact **CIVILPIPES** for further details of models and sizes available.



www.civilpipes.com.au



CIVILPIPES PTY LTD

ABN 30 168 566 667
2 Potassium St. Narangba Qld 4504
PO Box 304 North Lakes Qld 4509

CONTACT

T: 07 3053 3456
E: sales@civilpipes.com.au (Sales)
E: admin@civilpipes.com.au (General)



The products shown form part of our continuous improvement program and as such the product specifications may be changed without notice. All warranties relating to accuracy, completeness, or suitability for any particular purpose and all liability for any loss, damage or costs incurred relating to the use of this information are excluded.
© CIVILPIPES 2022 All Rights Reserved.